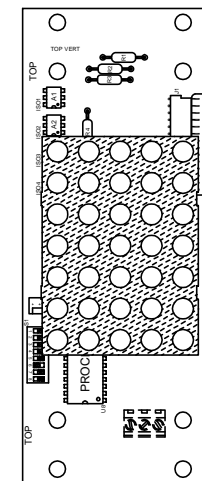
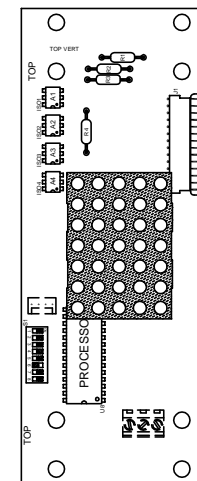
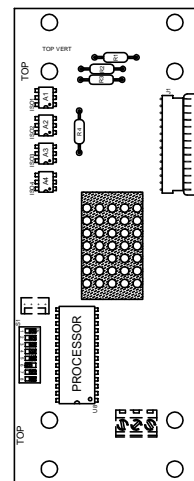
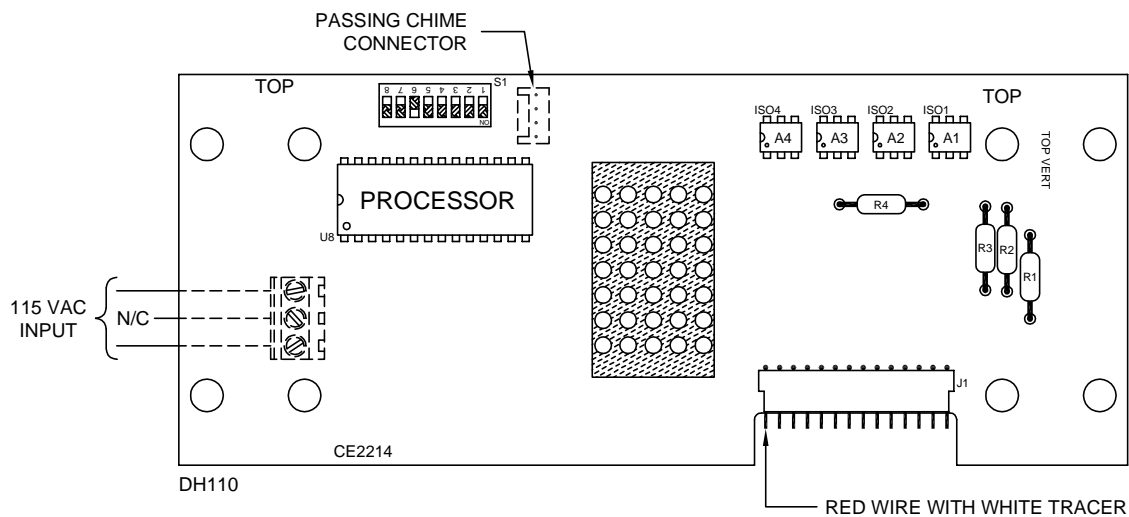


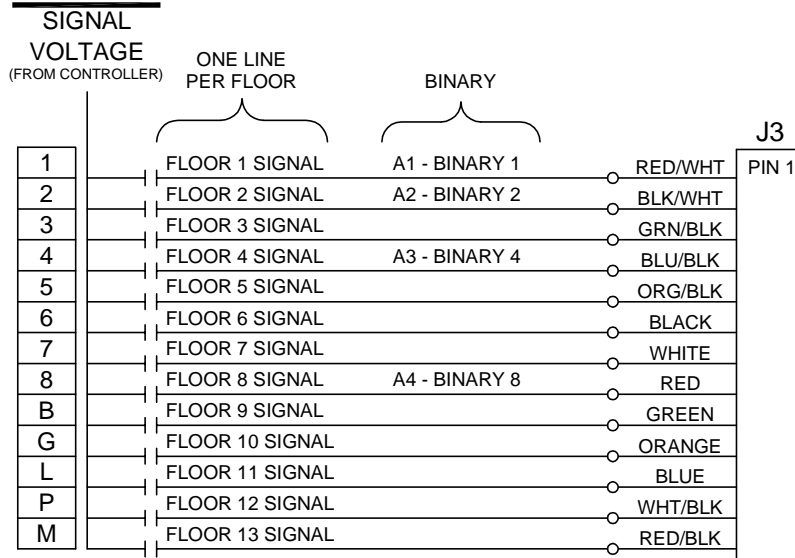
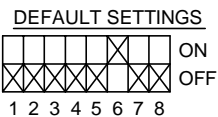
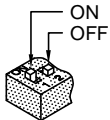
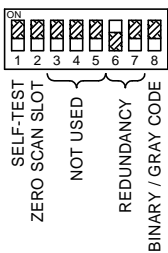
# SINGLE-DIGIT DOT MATRIX DISPLAY

DH110, DV110, DH120, DV120, DH130, DV130

JOB# \_\_\_\_\_

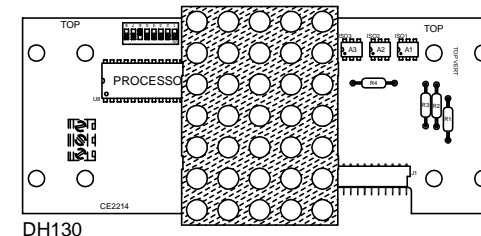
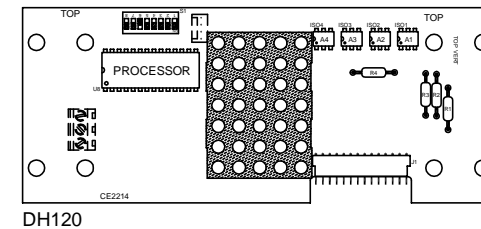


NOTE: PASSING CHIME CONNECTOR AND POWER CONNECTION ARE ON THE BACK OF THE BOARD.



STD  CUSTOM

FLOOR MARKINGS



CODE VERSION \_\_\_\_\_

BOARD VERSION CE2214 \_\_\_\_\_

NOTE: IF FORMAT IS BINARY OR GRAY CODE, SEE CHART ON BACK!

DATE DRAWN: 08/29/05	DRAWN BY: DAC	REQUESTED BY: DAC	 C.E. ELECTRONICS, INC. 2107 Industrial Drive Bryan, Ohio 43006 (419) 636-6705
BOARD NUMBER: 2214	LAST DATE REVISED: 04/18/11	APPROVED BY:	
PRODUCT SINGLE-DIGIT DM DISPLAY			
			DWG. NO. DM-SINGLE_01
			REV. B

## BINARY FLOOR CHART

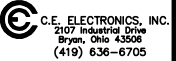
Standard Floor Markings	Custom Floor Markings
<p>BINARY BITS</p> <p>A4 - BIN 1 A3 - BIN 1 A2 - BIN 1 A1 - BIN 1</p>	<p>BINARY BITS</p> <p>A4 - BIN 1 A3 - BIN 1 A2 - BIN 1 A1 - BIN 1</p>
1 1 0 1 <u>  M  </u>	1 1 0 1 _____
1 1 0 0 <u>  P  </u>	1 1 0 0 _____
1 0 1 1 <u>  L  </u>	1 0 1 1 _____
1 0 1 0 <u>  G  </u>	1 0 1 0 _____
1 0 0 1 <u>  B  </u>	1 0 0 1 _____
1 0 0 0 <u>  8  </u>	1 0 0 0 _____
0 1 1 1 <u>  7  </u>	0 1 1 1 _____
0 1 1 0 <u>  6  </u>	0 1 1 0 _____
0 1 0 1 <u>  5  </u>	0 1 0 1 _____
0 1 0 0 <u>  4  </u>	0 1 0 0 _____
0 0 1 1 <u>  3  </u>	0 0 1 1 _____
0 0 1 0 <u>  2  </u>	0 0 1 0 _____
0 0 0 1 <u>  1  </u>	0 0 0 1 _____

## GRAY CODE FLOOR CHART

Standard Floor Markings	Custom Floor Markings
<p>GRAY CODE BITS</p> <p>A4 - BIN 1 A3 - BIN 1 A2 - BIN 1 A1 - BIN 1</p>	<p>GRAY CODE BITS</p> <p>A4 - BIN 1 A3 - BIN 1 A2 - BIN 1 A1 - BIN 1</p>
1 0 1 1 <u>  M  </u>	1 0 1 1 _____
1 0 1 0 <u>  P  </u>	1 0 1 0 _____
1 1 1 0 <u>  L  </u>	1 1 1 0 _____
1 1 1 1 <u>  G  </u>	1 1 1 1 _____
1 1 0 1 <u>  B  </u>	1 1 0 1 _____
1 1 0 0 <u>  8  </u>	1 1 0 0 _____
0 1 0 0 <u>  7  </u>	0 1 0 0 _____
0 1 0 1 <u>  6  </u>	0 1 0 1 _____
0 1 1 1 <u>  5  </u>	0 1 1 1 _____
0 1 1 0 <u>  4  </u>	0 1 1 0 _____
0 0 1 0 <u>  3  </u>	0 0 1 0 _____
0 0 1 1 <u>  2  </u>	0 0 1 1 _____
0 0 0 1 <u>  1  </u>	0 0 0 1 _____

### INSTALLATION GUIDE

1. Make sure the input resistors are pushed all the way into the sockets.
2. Connect 115VAC power to the outer terminals of J2. Nothing connects to the center terminal.
3. To use the optional passing chime, connect it to J3.
4. Turn on DIP switch 1 (self-test). The display cycles through the floor markings. Verify the floor markings are correct and adjust the volume of the optional passing chime.
5. Connect the signal cable to J1 on the display. Be sure to install the cable properly (red wire with white tracer positioned as shown on the other side of this page).
6. Use the diagram on the other side of this page to connect the signal cable to the controller. The voltage (and DC polarity, if needed) are marked on the diagram. This unit works like a light bulb; it has to have voltage between common and the selected input.
7. If the input voltage is DC and you suspect the controller uses the opposite polarity, remove the common from the display and then put the selected floor wire to common and common to the selected floor input. If the selected floor displays, contact Tech Support at the number below.
8. For single line per floor set-ups, only one wire at a time can have voltage present (with reference to common).
9. If the display does not work properly after following the steps above, write down the serial number from the white label and exactly what the unit displays at each floor. Call Tech Support at (419) 636-6705.

DATE DRAWN: 05/05/97	DRAWN BY: K.L.S.	REQUESTED BY: J.P.	 C.E. ELECTRONICS, INC. 2107 Industrial Drive Bryan, Ohio 43506 (419) 636-6705
BOARD NUMBER: N/A	LAST DATE REVISED: 04/18/11	APPROVED BY:	
PRODUCT SINGLE DM FLOOR MARKINGS			
DWG. NO. COMPT-4			REV. C