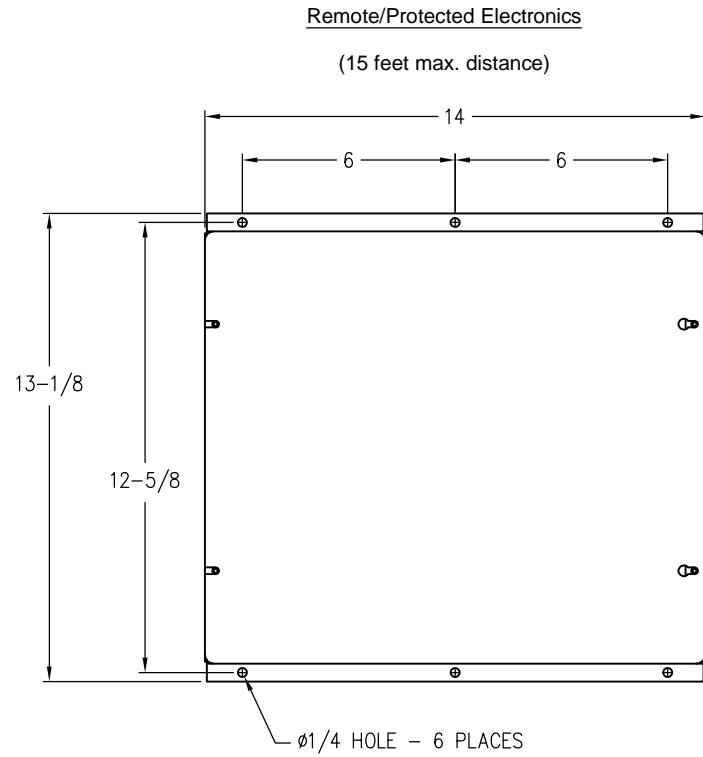
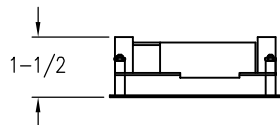
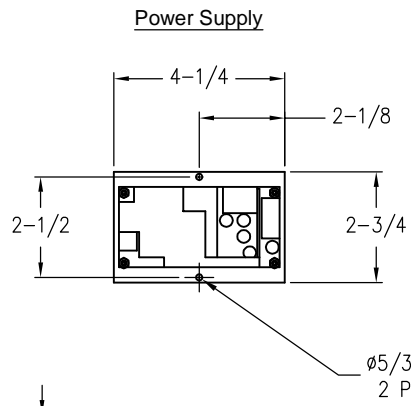


Local / Open Electronics  
(15 feet max. distance)



LENS NUMBER:	BOARD # & REV:
APPROVED BY:	
Signature:	
Date:	
Company:	

DATE DRAWN: 7/26/2019	LAST DATE REVISED	SCALE	PART #
DRAWN BY: DJR	TOLERANCE UNLESS OTHERWISE SPECIFIED:		
REQUESTED BY: RNT	TOLERANCE FOR CUTOUT (WINDOW):		
TITLE: ELECTRONICS FOR ET190-AXX			DWG. NO. DD190-E
			REV:

 C.E. ELECTRONICS, INC.  
2107 Industrial Drive  
Bryan, Ohio 43506  
(419) 636-6705