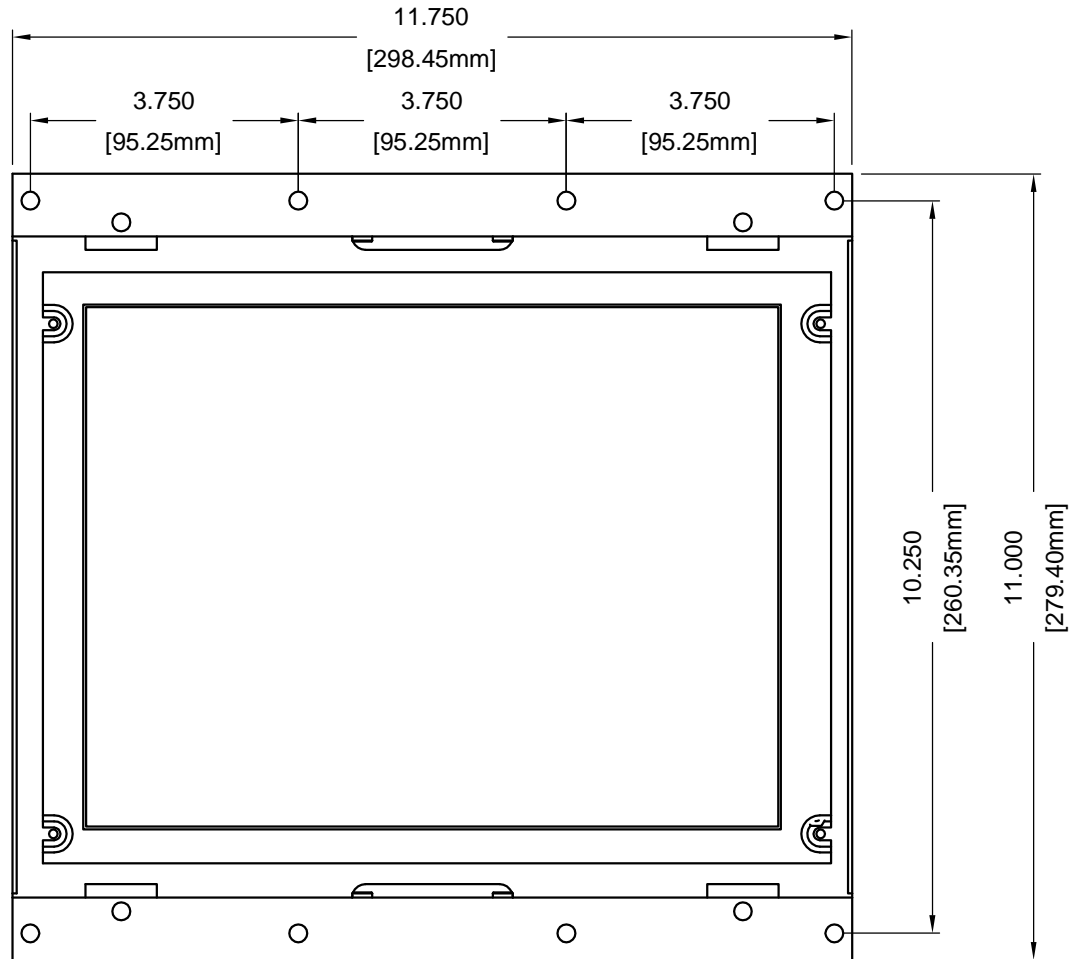
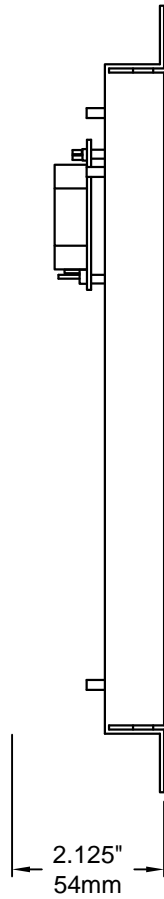


DD121-1-AUX

Ver. 2 Rel. 11/03/2014



NOTES:

STANDARD 12.1 TFT UNIT:

Recommended minimum depth with basic unit of at least 2.25" with a standard 1/8" step lens.

LENS NUMBER:	BOARD # & REV:
APPROVED BY:	
Signature: _____	
Date: _____	
Company: _____	

DATE DRAWN: 4/11/07	LAST DATE REVISED 11/03/2014	SCALE NONE	PART #
DRAWN BY: DWS	TOLERANCE UNLESS OTHERWISE SPECIFIED: ±.015		 C.E. ELECTRONICS, INC. 2107 Industrial Drive Bryan, Ohio 43506 (419) 636-6705
REQUESTED BY: TE	TOLERANCE FOR CUTOUT (WINDOW):		
TITLE: DD121-1-AUX DRAWING			DWG. NO. DD121-1-AUX
			REV: