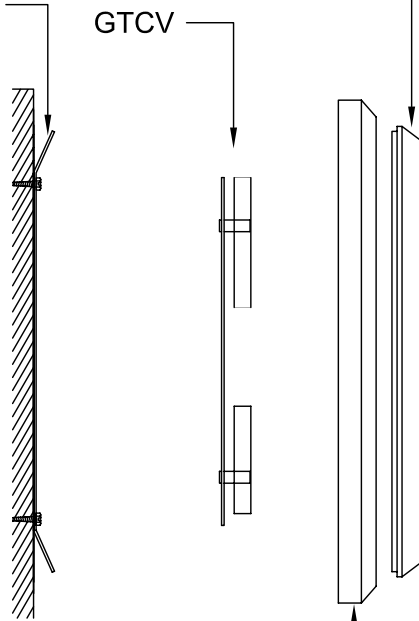


MOUNTING BRACKET FOR COVER

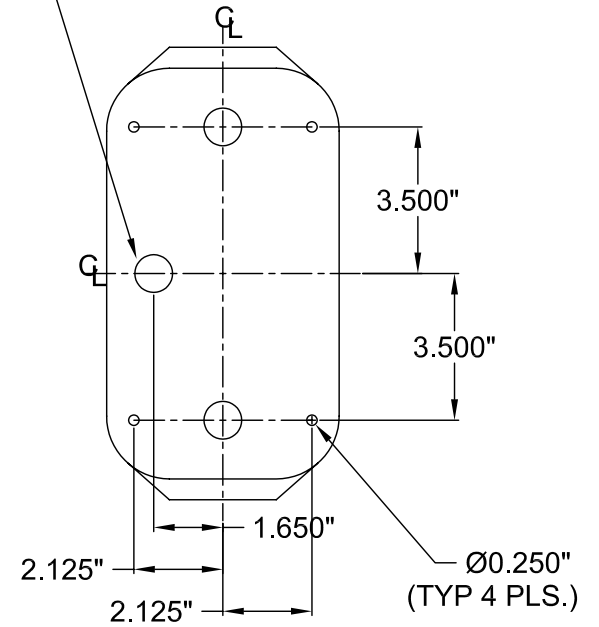
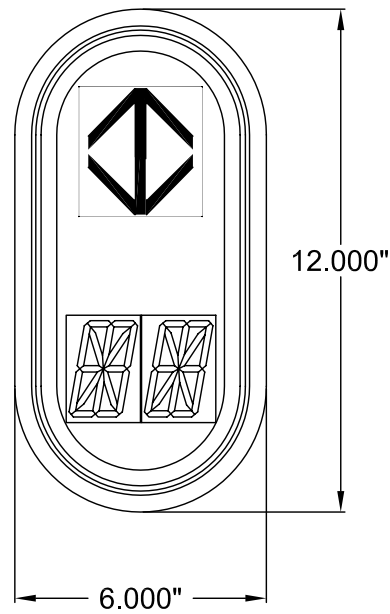
GTCV

LENS



#4 STAINLESS STEEL COVER

REF. 0.875" DIA
(1/2" KNOCKOUT)
(TYP. 3 PLS.)



CUT-OUT & MTG. DETAIL

LENS NUMBER:	BOARD # & REV:
APPROVED BY:	
Signature: _____	
Date: _____	
Company: _____	

DATE DRAWN: 03/13/03	LAST DATE REVISED	SCALE NONE	PART #:
DRAWN BY: K.L.S.	TOLERANCE UNLESS OTHERWISE SPECIFIED: +0.015,-0.015		 C.E. ELECTRONICS, INC. 2107 Industrial Drive Bryan, Ohio 43506 (419) 636-6705
REQUESTED BY: C.S.	TOLERANCE FOR CUTOUT (WINDOW): +0.020,-0.000		
TITLE: VERTICAL OVAL SURFACE MOUNT FIXTURE			DWG. NO. 70100032
			REV: