

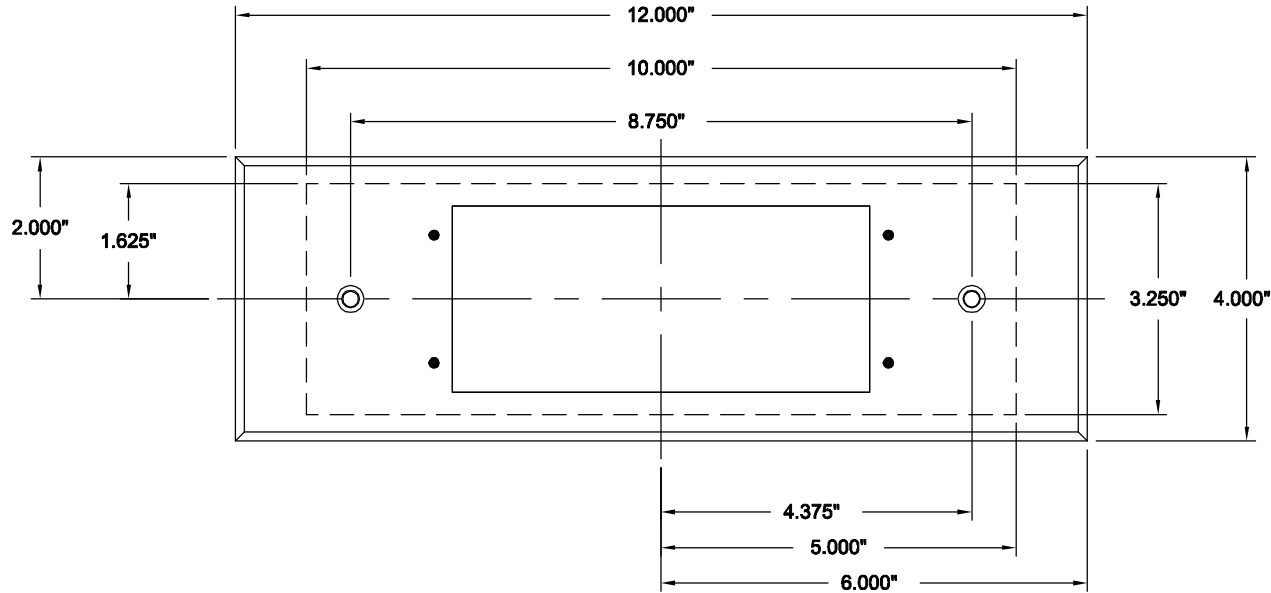


C.E. Electronics, Inc.
 2107 Industrial Drive
 Bryan, OH 43506
 PH (419) 636-6705 FX (419) 636-2516
 www.ccelectronics.com

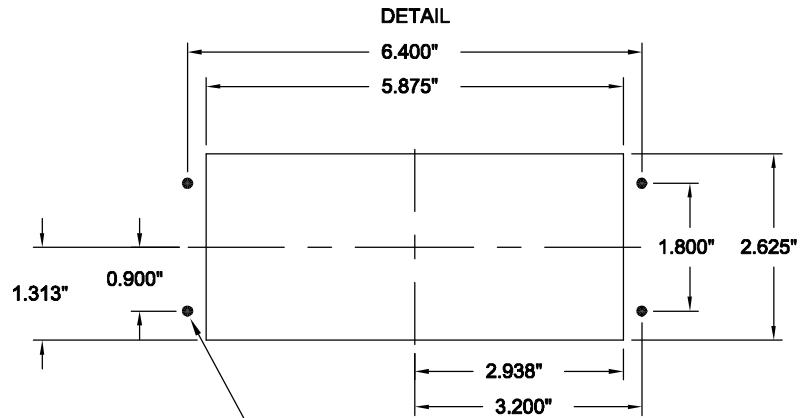
70100002

Ver. 1 Rel. 06/18/03

METAL



**COVERPLATE / BOX FOR 2 or 3 DIGIT
 1" OR 2" DOT MATRIX DISPLAY**



#6-32 x 1 3/4" STUD MIN (TYP. 4 PLACES)

NOTES:

- #4 STAINLESS STEEL, .125"
- HORIZONTAL GRAIN
- BEVELED EDGES - APPROXIMATELY 15°
- GALVANIZED BOX REQUIRED, 3.5" DEEP, NO EXTRUDED BOX
- COUNTERSINK MOUNTING HOLES FOR #10-32 TAMPERPROOF SCREW