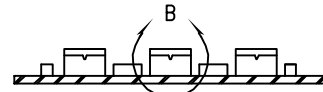
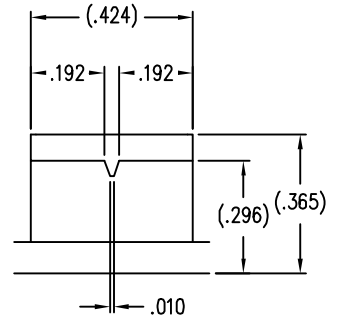
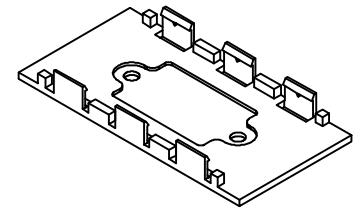


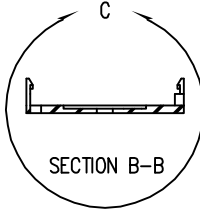
DETAIL A
SCALE 1:1



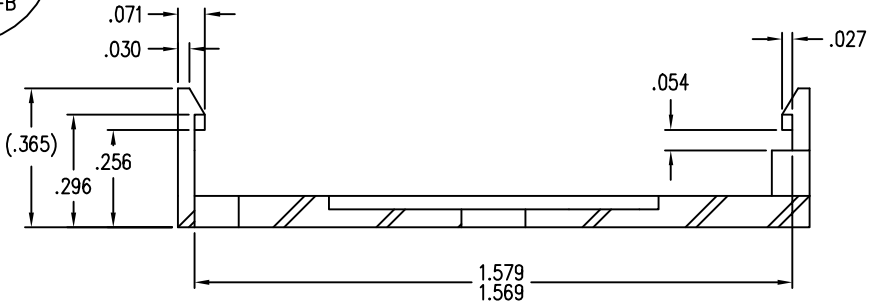
SECTION A-A



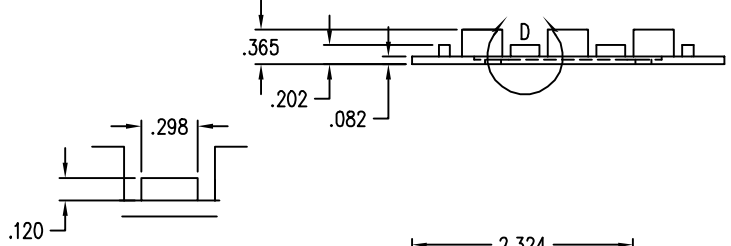
DETAIL B
SCALE 4:1



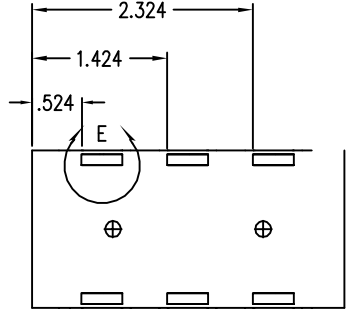
SECTION B-B



DETAIL C
SCALE 4:1



DETAIL D
SCALE 2:1



DETAIL E
SCALE 2:1

MATERIAL: NYLON 94-V03
 COLOR: "WHITE"
 NOTE: DRAFT ANGLE= 3°
 NO SHARP CORNERS OR EDGES

LENS NUMBER:	BOARD # & REV:
APPROVED BY:	
Signature:	
Date:	
Company:	

DATE DRAWN: 2/12/2018	LAST DATE REVISED:	SCALE NTS	PART #
DRAWN BY: DJR	TOLERANCE UNLESS OTHERWISE SPECIFIED: ± .010	 C.E. ELECTRONICS, INC. 2107 Industrial Drive Bryan, Ohio 43506 (419) 636-6705	
REQUESTED BY: RNT	TOLERANCE FOR CUTOFF (WINDOW):		
TITLE: BOARD HOLDER	DWG. NO. 70000469	REV:	