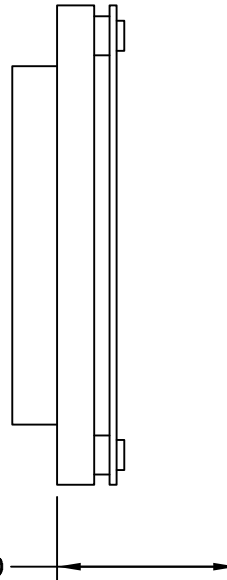
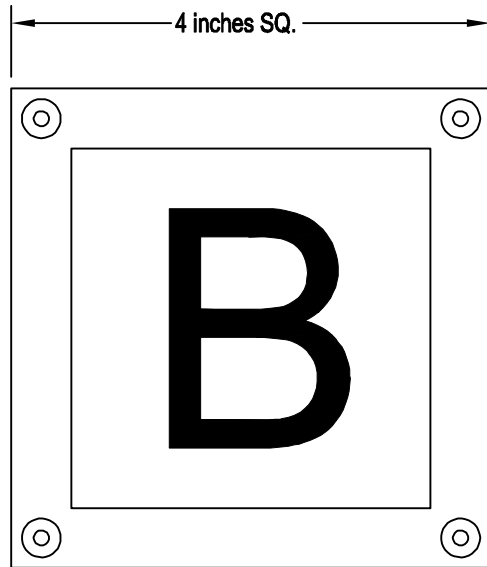




MBOX-X

Ver. 2 Rel. 11/04/2016

DESTINATION
 BASED



1-1/2 INCHES
 CLEARANCE REQUIRED
 FOR ELECTRONICS

MBOX

3 INCH LED EXTENDED DESTINATION BLOCK

Long life, solid state LED's with a 100,000 hour rated life. Accepts existing signals over the MICRO COMM link. It includes white LED's when floor is available. For arrival they turn either green in the up direction or red in the down with destination characters for 180° viewing. The unit is also equipped with an arrival speaker and destination tones. The programming is dip switch selectable. Must specify elevator car character.

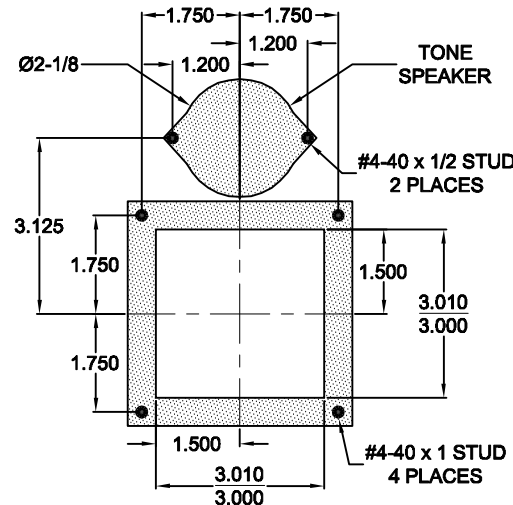
Typical Applications

- Destination Indicator with auto fill arrival arrows

Features:

- 2 inch characters
- 180° viewing angle lantern
- 1 year factory warranty
- Conforms to ADAAG 4.10.4
- Includes speaker for tones
- MICRO COMM input
- Metal - optional
- Destination voice - optional (additional cost)
 Note: 9SPKRASY03 speaker included with Destination voice option

- Some features may not be available for your system
- Please check with manufacturer for special features
- Consult Manufacturer for lead time



PANEL PREP

TO ORDER: - SPECIFY MBOX-X

"BLANK" = No Voice
 "D" = DESTINATION Voice
 (Adds 1/4 inch to depth)