

NOTE: DIMENSIONS ARE IN INCHES

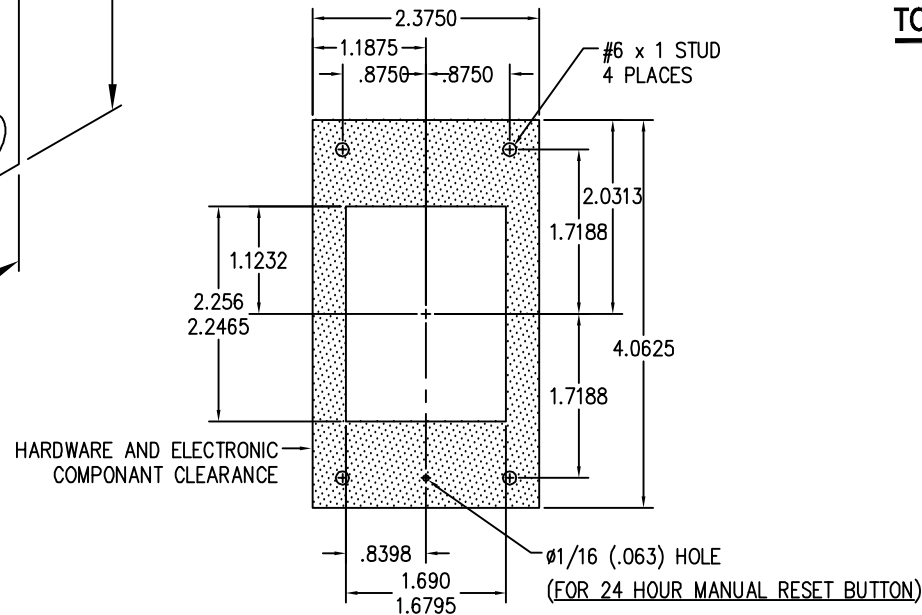
2.8 INCH EASI DISPLAY

The EASI display is a flexible display that is capable of displaying multiple screens w/ an audible signal and has a 24 hour manual reset feature, for the A17.1 codes

The unit can display, Fire Phase One as well as Fire Phase Two for up to 8 cars, emergency power, light and phone line sensor inputs are also available that also show, up to 8 cars on the screen.

An optional pit sensor can be wired into the display

The 1 TWSP CAN Link and 24Vdc power is supplied from the machine room interface



TO ORDER - SPECIFY EASI - X X X X

"NUMBER OF ELEVATORS"
 "1" = 1-3 ELEVATOR
 "4" = 4-6 ELEVATORS
 "8" = 7-8 ELEVATORS

"LIGHT SENSOR"
 "L" = LIGHT INPUT SENSOR
 "X" = NO LIGHT SENSOR

"PHONE SENSOR"
 "S" = PHONE LINE SENSOR
 "X" = NO PHONE SENSOR

"PIT SENSOR"
 "P" = PIT SENSOR
 "X" = NO PIT SENSOR