

Find Yourself Lost Amidst

DESTINATION-BASED ELEVATORS?





Find Yourself Lost Amidst

DESTINATION-BASED ELEVATORS?

Lost and confused by destination-based elevators?

Look To C.E. For Solutions.

We offer LED annunciators in both horizontal and vertical formats with sizes from 1/2" to 2" in various colors. C.E. also has TFT/LCD screens that offer all the destination-based information from floor direction to elevator selection and more. We also offer the custom LCD touch screens for the elevators.

8.4" ELITE PI

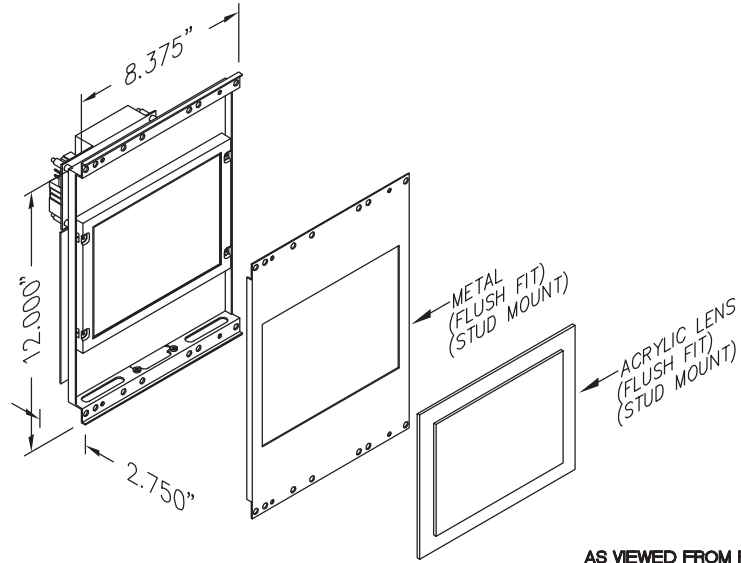
The Micro Comm Elite PI is the most flexible position indicator available. With the Elite PI Designer software, you can customize your own position indicator by selecting background colors and textures, fonts, and arrow styles. This system is so flexible you can even determine where the display elements appear on the screen. In addition to design flexibility, the Micro Comm Elite PI can display floor, priority, and time-based messages.

Typical Applications:

- Car operating panel
- Car transom
- Lobby

Features:

- Passing chime output
- Live video (optional)
- Self testing
- Low profile
- Elite PI Designer software
- Elite PI Transfer software
- Multi-car capabilities for hallway use



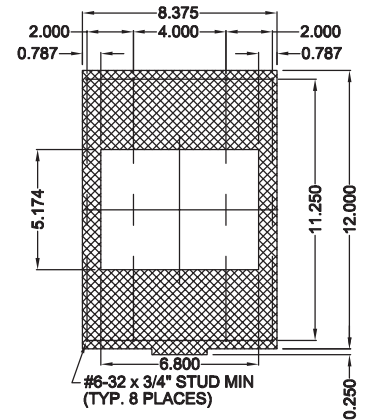
UNIT IS 2.75" DEEP.

AUXILIARY: 2.125" DEEP.

Standard lens: add .125".

Additional space may be required for wiring.

AS VIEWED FROM FRONT



TO ORDER: - EX084 - C XX

SERIES:

"L" = STANDARD
 "W" = COMPOSITE VIDEO
 "A" = AUXILIARY PANEL LINK

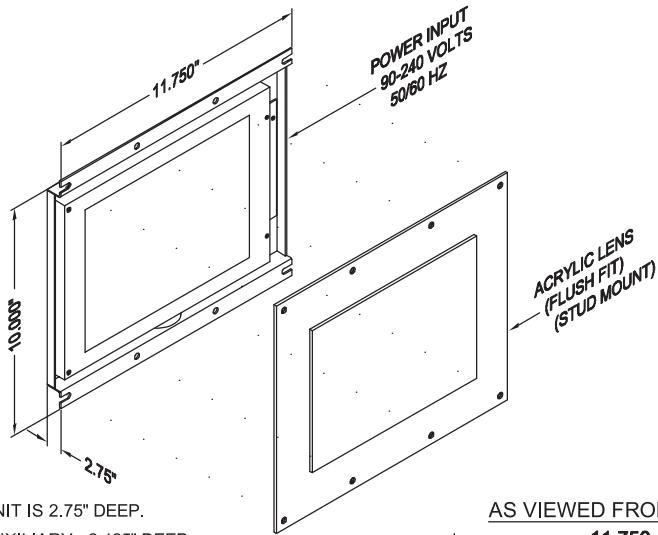
VIDEO TYPE:

"N" = NTSC
 "P" = PAL

TIME ZONE
 SEE RELATED DRAWING

RELATED DRAWINGS

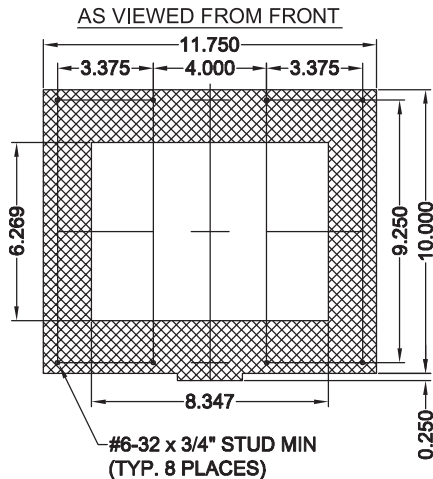
DESCRIPTION	DRAWING NAME
PANEL PREP.	PP084-1
DETAIL DIM.	DD084-1
TIME ZONES	T-ZONES



UNIT IS 2.75" DEEP.
 AUXILIARY: 2.125" DEEP.

Standard lens: add .125".

Additional space may be required for wiring.



10.4" ELITE PI

The Micro Comm Elite PI is the most flexible position indicator available. With the Elite PI Designer software, you can customize your own position indicator by selecting background colors and textures, fonts, and arrow styles. This system is so flexible you can even determine where the display elements appear on the screen. In addition to design flexibility, the Micro Comm Elite PI can display floor, priority, and time-based messages.

Typical Applications:

- Car operating panel
- Car transom
- Lobby

Features:

- Passing chime output
- Live video (optional)
- Self testing
- Low profile
- Elite PI Designer software
- Elite PI Transfer software
- Multi-car capabilities for hallway use

TO ORDER:- EX104-CXX

SERIES:

"L" = STANDARD
 "W" = COMPOSITE VIDEO
 "A" = AUXILIARY PANEL LINK

VIDEO TYPE:

"N" = NTSC
 "P" = PAL

TIME ZONE
 SEE RELATED DRAWING

RELATED DRAWINGS

DESCRIPTION	DRAWING NAME
PANEL PREP.	PP104-1
DETAIL DIM.	DD104-1
TIME ZONE	T-ZONES

12.1" ELITE PI

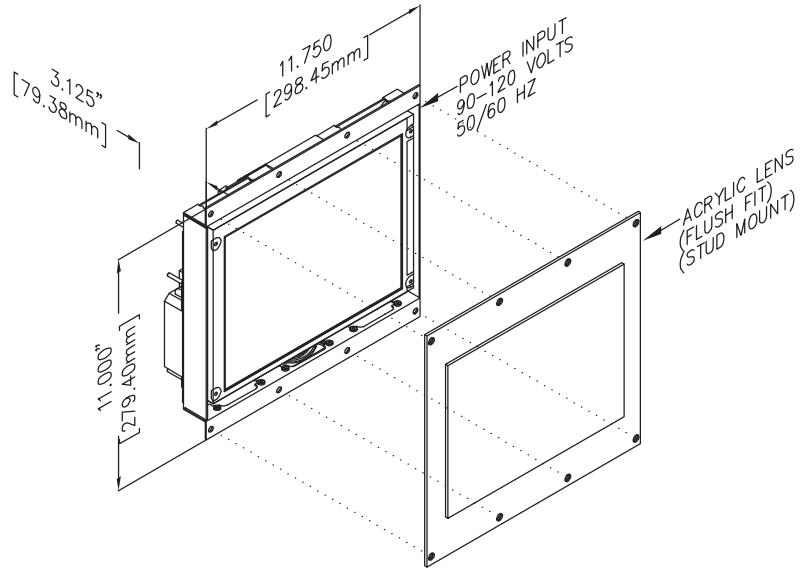
The Micro Comm Elite PI is the most flexible position indicator available. With the Elite PI Designer software, you can customize your own position indicator by selecting background color and textures, fonts, and arrow styles. This system is so flexible you can even determine where the display elements appear on the screen. In addition to design flexibility, the Micro Comm Elite PI can display floor, priority, and time-based messages.

Typical Applications:

- Car operating panel
- Car transom
- Lobby

Features:

- Passing chime output
- Live video (optional)
- Self testing
- Low profile
- Elite PI Designer software
- Elite PI Transfer software
- Multi-car capabilities for hallway use



TO ORDER: - EX121 - A XX

"L" = STANDARD
 "W" = COMPOSITE VIDEO
 "A" = AUXILIARY PANEL LINK

TIME ZONE
 SEE RELATED DRAWING

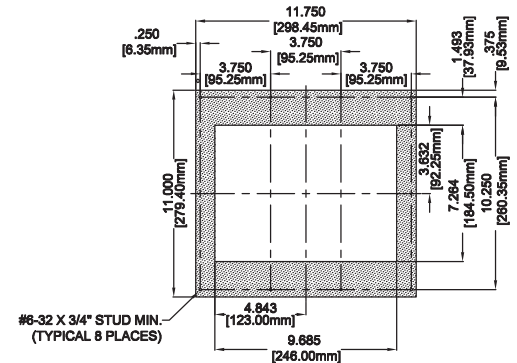
VIDEO TYPE:
 "N" = NTSC
 "P" = PAL

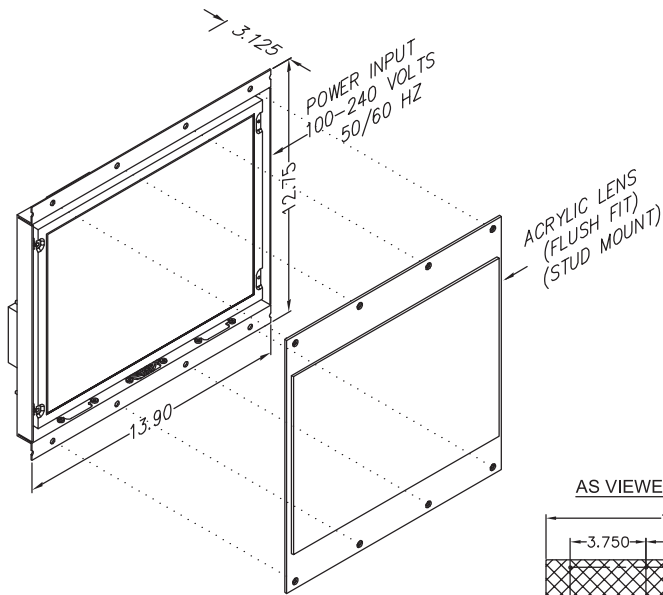
RELATED DRAWINGS	
DESCRIPTION	DRAWING NAME
PANEL PREP.	PP121-1
DETAIL DIM.	DD121-1
TIME ZONES	T-ZONES

UNIT IS 3.1250" DEEP.

WE RECOMMEND A 3.5" DEPTH BOX

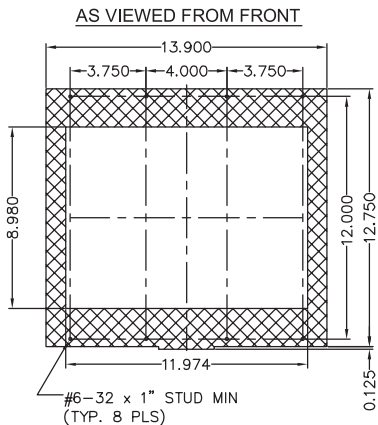
Additional space is required for wiring.





UNIT IS 3.125" DEEP
WE RECOMMEND A 3.5" DEPTH BOX

Additional space is required for wiring.



15" ELITE PI

The Micro Comm Elite PI is the most flexible position indicator available. With the Elite PI Designer software, you can customize your own position indicator by selecting background colors and textures, fonts, and arrow styles. This system is so flexible you can even determine where the display elements appear on the screen. In addition to design flexibility, the Micro Comm Elite PI can display floor, priority, and time-based messages.

Typical Applications:

- Car operating panel
- Transom car or hub
- Lobby

Features:

- Passing chime output
- Live video (optional)
- Self testing
- Low profile
- Elite PI Designer software
- Elite PI Transfer software
- Multi-car capabilities for hallway use

TO ORDER: - EX150 - C XX

"L" = STANDARD
"W" = COMPOSITE VIDEO
"A" = AUXILIARY PANEL LINK

TIME ZONE
SEE RELATED DRAWING

VIDEO TYPE:
"N" = NTSC
"P" = PAL

RELATED DRAWINGS	
DESCRIPTION	DRAWING NAME
PANEL PREP.	PP150-1
DETAIL DIM.	DD150-1
TIME ZONES	T-ZONES

6.5" TOUCH SCREEN

This touch screen is a flexible input which can be customized for any building or corporation. This customization can reflect architectural elements, color schemes, and corporate identity. Within this customization, information can be presented to passengers regarding floor input selection or handicap mode with a bank directory. Because of memory constraints screens and WAV files have limitations.

Typical Applications:

- Lobby & Floor Inputs
- Security

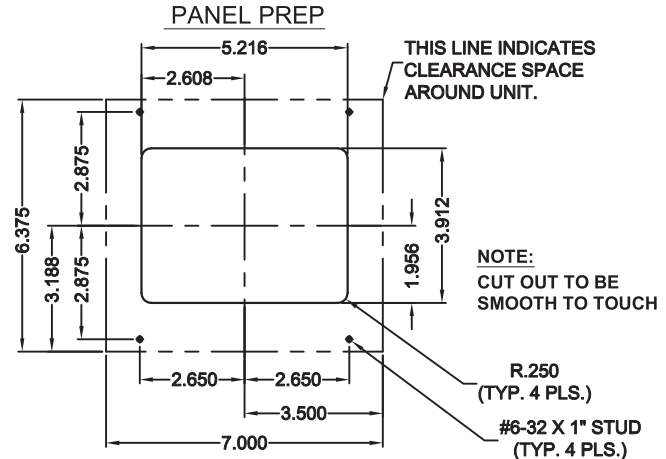
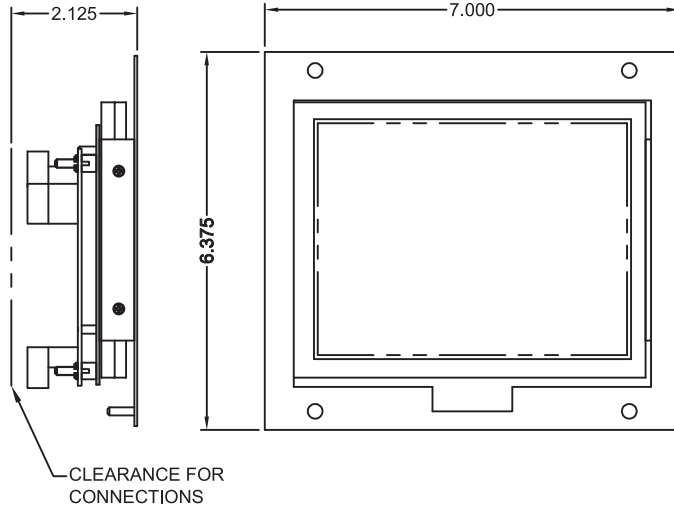
Features:

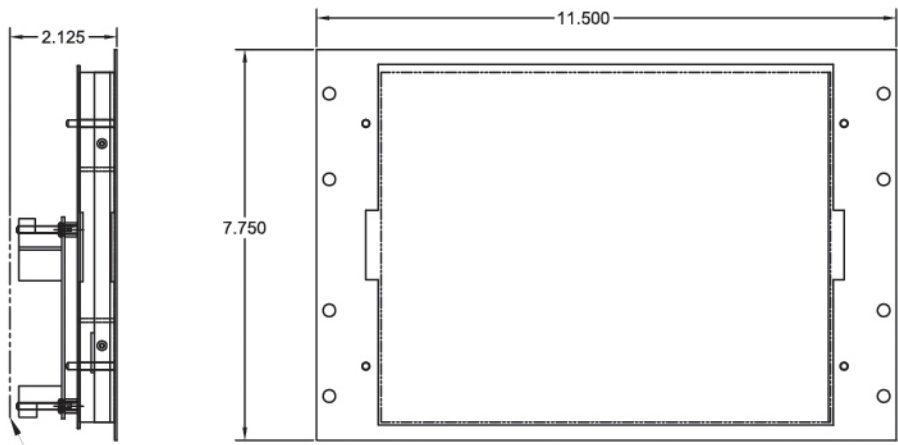
- Low cost
- Low profile
- Voice capable (WAV 16KHZ mono)
- 256 Color
- Audio / Image to share 25 MB
- 80 x 80 x 70 x 60 viewing angle
- USB Update

TO ORDER: - EMN65T - BHX

"C" = Factory Select
 "M" = Factory Select
 "O" = Factory Select
 "T" = Factory Select

RELATED DRAWINGS	
DESCRIPTION	DRAWING NAME
PANEL PREP.	PP65-4
DETAIL DIM.	DD65-4





10.4" TOUCH SCREEN

This touch screen is a flexible input which can be customized for any building or corporation. This customization can reflect architectural elements, color schemes, and corporate identity. Within this customization, information can be presented to passengers regarding floor inputs selection or handicap mode with a bank directory. Shared audio and video memory.

Typical Applications:

- Lobby & Floor Inputs
- Security

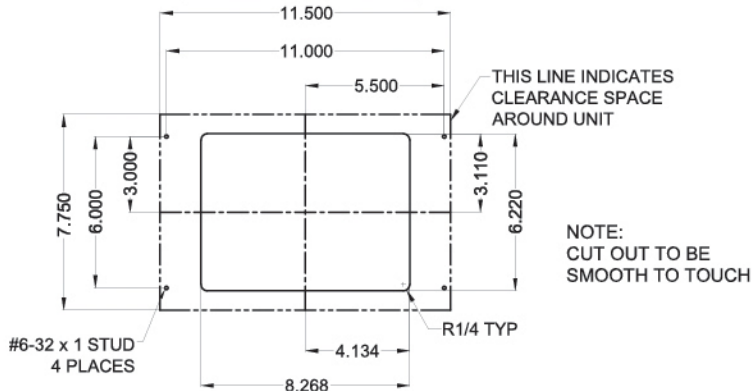
Features:

- Low cost
- Low profile
- Voice capable (WAV 16KHZ mono)
- 256 Colors
- 25MB shared audio/video capability

CLEARANCE FOR CONNECTIONS

PANEL PREP

AS VIEWED FROM FRONT



THIS LINE INDICATES CLEARANCE SPACE AROUND UNIT

NOTE:
CUT OUT TO BE
SMOOTH TO TOUCH

TO ORDER: - EMN104T - B C X

- "C" = Factory Select
- "F" = Factory Select
- "M" = Factory Select
- "T" = Factory Select

RELATED DRAWINGS	
DESCRIPTION	DRAWING NAME
PANEL PREP.	MPP104-2
DETAIL DIM.	MDD104-2

- A Segmented 1/2" Destination Display
- B Dot Matrix 2" Character Destination Display
- C Segmented 1" Character Destination Display
- D 4.3" TFT Elite PI Mini Destination Display



Elite PI 15" TFT with Destination Control Information **E**

Elite Touch Screen 10.4" TFT with Orientation Map **F**

Flag LED Extended Destination Arrow **G**

Pendant 2.5" LED Extended Destination Arrow **H**



4.3" MINI

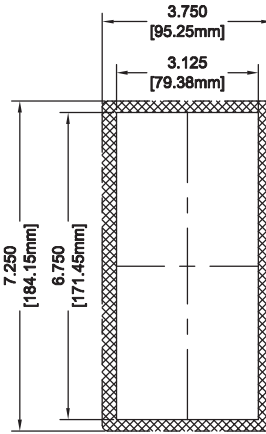
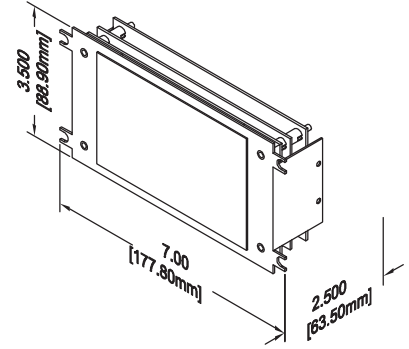
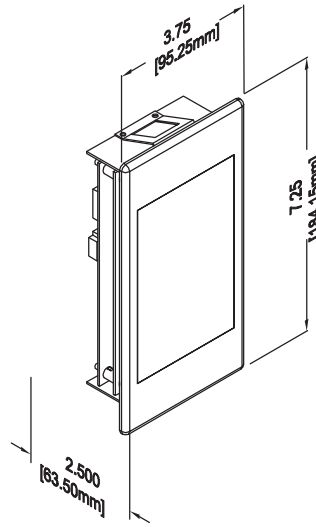
The Mini is a flexible information indicator which can be customized for any building or corporation. This customization can reflect architectural elements, color schemes, and corporate identity. Within this customization, information can be presented to passengers regarding the elevator's current position and direction, arrival arrows along with priority messages from the controller. It's also designed to be a destination type display showing floors served when in destination mode. These units also have a non-movement blanking to help preserve backlight life.

Typical Applications:

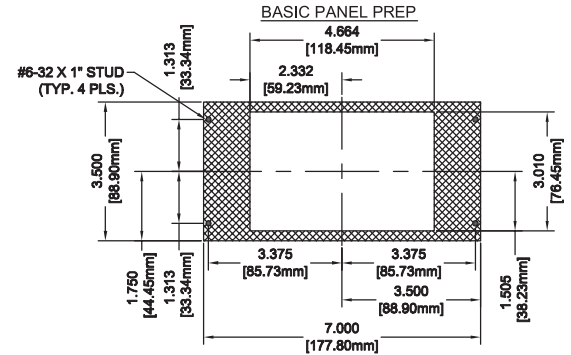
- Car operating panel
- Car transom
- Lobby/arrival
- Destination Displays
- Messaging

Features:

- Passing chime output
- Self testing
- Low profile
- Destination Display
- Backlight saver function / default on



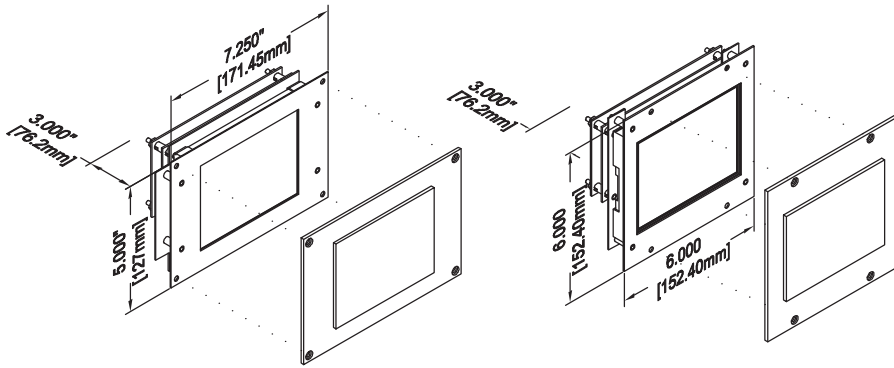
SNAP-IN PANEL PREP



BASIC RELATED DRAWINGS	
DESCRIPTION	DRAWING NAME
PANEL PREP.	PP43-1
DETAIL DIM.	DD43-1
SNAP-IN RELATED DRAWINGS	
DESCRIPTION	DRAWING NAME
PANEL PREP.	PP43-2
DETAIL DIM.	DD43-2

TO ORDER:- EMN43-X

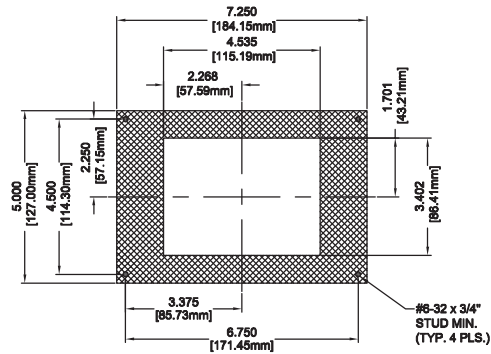
"1" = BASIC
"2" = SNAP IN STAINLESS



HORIZONTAL

PANEL PREP

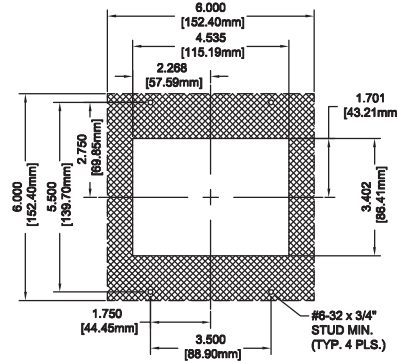
AS VIEWED FROM FRONT



VERTICAL

PANEL PREP

AS VIEWED FROM FRONT



5.7" MINI

The Mini PI is a flexible information indicator which can be customized for any building or corporation. This customization can reflect architectural elements, color schemes, and corporate identity. Within this customization, information can be presented to passengers regarding the elevator's current position and direction, arrival arrows along with priority messages from the controller. It's also designed to be a destination type display showing floors served when in destination mode. These units also have a non-movement blanking to help preserve backlight life.

Typical Applications:

- Car operating panel
- Car transom
- Lobby / arrival arrows
- Destination Display
- Message

Features:

- Passing chime output
- Self testing
- Low profile
- Destination Display
- Voice capable
- Backlight saver function / default on

TO ORDER:- EMN57-AMX

"H" = HORIZONTAL

"V" = VERTICAL

HORIZONTAL

EMN57-AMH RELATED DRAWINGS	
DESCRIPTION	DRAWING NAME
PANEL PREP.	PP57-1
DETAIL DIM.	DD57-1

VERTICAL

EMN57-AMV RELATED DRAWINGS	
DESCRIPTION	DRAWING NAME
PANEL PREP.	PP57-2
DETAIL DIM.	DD57-2

NOTE:

Standard lens: add .125".

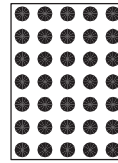
Depth includes room for reasonable wiring space.

SCROLLING MESSAGE DISPLAY

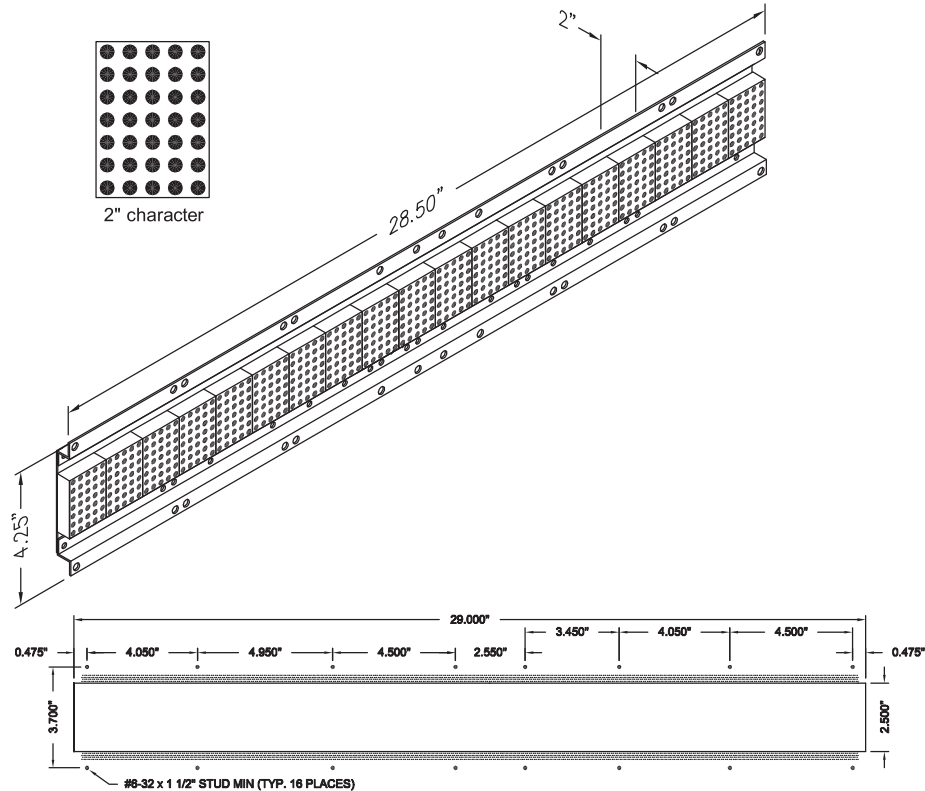
Versatile scrolling message displays any alphanumeric character within a 2 inch LED 16 digit screen. Various messages can be selected via binary inputs or through C.E.'s Micro Comm 3 wire network. The display is capable of 63 different messages (119 characters per message max). The display is capable of continuous scrolling or can be programmed to scroll in and stop then flash.

Features:

- 63 messages
- Flashing
- Binary inputs
- Micro Comm inputs
- 10-150VAC/DC inputs
- Scroll in, scroll out
- Adjustable continuous scrolling rate



2" character



TO ORDER--SPECIFY MSV20 - X X X X

COLOR:
"R" = RED
"A" = AMBER
"G" = GREEN

SIGNAL VOLTAGE:
"A" = POSITIVE 6-20VAC/DC, 24 VAC
"B" = POSITIVE 24-48VDC, 48VAC
"C" = POSITIVE 120VAC
"D" = POSITIVE 125VDC
"E" = NEGATIVE 6-20VDC
"F" = NEGATIVE 24-48VDC
"G" = NEGATIVE 125VDC
"M" = MICRO COMM

LENS:
"R" = RED
"G" = GRAY
"X" = NO LENS

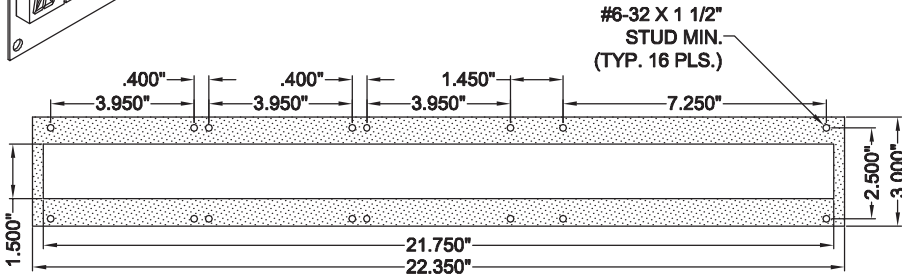
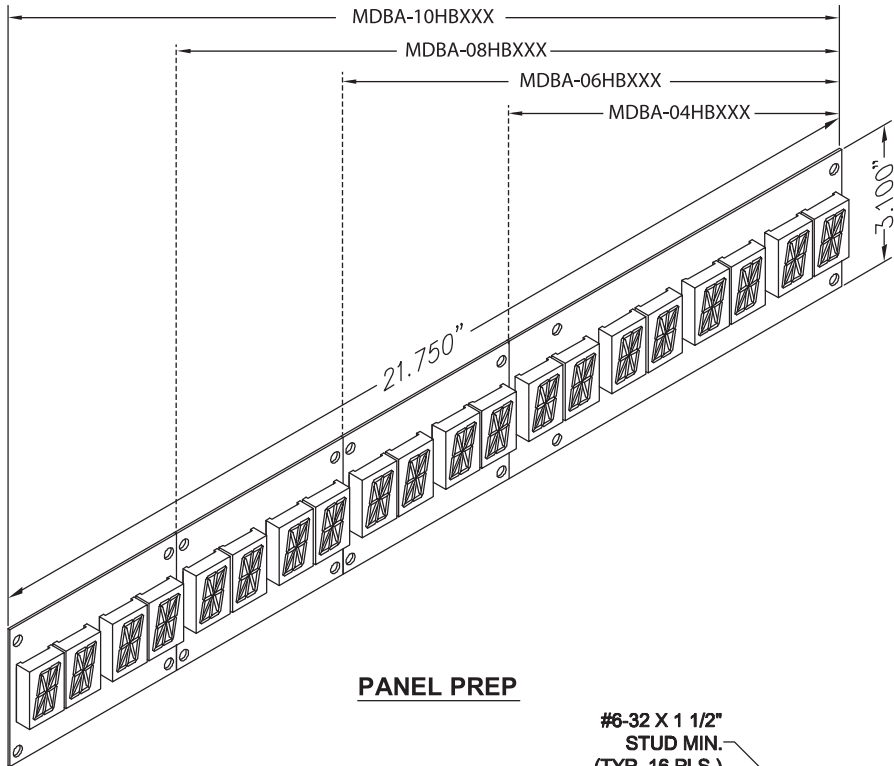
SIGNAL FORMAT:
"1" = SINGLE LINE/FLOOR *
"2" = BINARY
"3" = UNITS & TENS *
"4" = GRAY CODE
"5" = INVERTED BINARY
"6" = SPECIAL
"M" = MICRO COMM

* MAY NEED ADDITIONAL DECODER CARD

* REMOTE POWER SUPPLY

NOTE:

1. If a special voltage is required, please consult factory.
2. To display time, date, or temperature, must purchase as a system which includes MTIME-X and MRPOG module. A computer interface is optional.



PANEL PREP

#6-32 X 1 1/2"
STUD MIN.
(TYP. 16 PLS.)

SCROLLING MESSAGE DISPLAY

This display is capable of showing destination based information of 4 to 10 landings at a time. If more need to be shown it will scroll the floors. Units can display any alphanumeric character within a one inch LED display.

Features:

- Destination Based information
- Micro Comm information

TO ORDER:- SPECIFY MDBA-X H B X X X

NUMBER OF CHARACTERS: "04" = 8 CHARACTERS "06" = 12 CHARACTERS "08" = 16 CHARACTERS "10" = 20 CHARACTERS			
COLOR: "R" = RED "G" = GREEN "A" = AMBER "B" = BLUE "W" = WHITE			
SIGNAL FORMAT: "00" = CAN INTERFACE "MC" = MC INPUT "32" = 32 INPUTS OR < DISCRETE "64" = 64 INPUTS OR < DISCRETE "96" = 96 INPUTS OR < DISCRETE			
LENS: "R" = RED "G" = GRAY "X" = NO LENS			

0.5" - 10 DUAL DIGIT DESTINATION ANNUNCIATOR

The display is capable of showing destination based information of up to 10 landings at a time. If more need to be shown it will scroll the floors. Units can display any alphanumeric character within a half inch LED display.

Features:

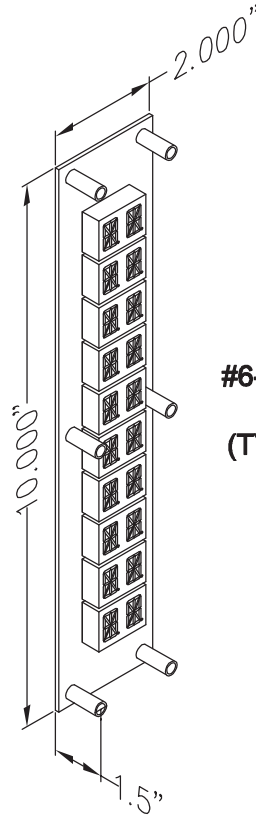
- Destination Based information
- Micro Comm information

TO ORDER:-SPECIFY MDBA10-VA X XX X

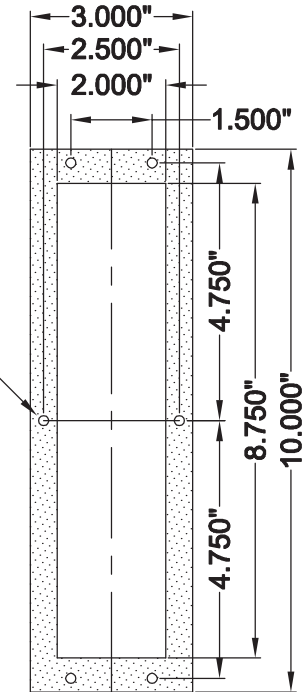
COLOR:
 "R" = RED
 "G" = GREEN
 "B" = BLUE

SIGNAL FORMAT:
 "00" = CAN INTERFACE
 "MC" = MC INPUT
 "32" = 32 INPUTS OR < DISCRETE
 "64" = 64 INPUTS OR < DISCRETE
 "96" = 96 INPUTS OR < DISCRETE

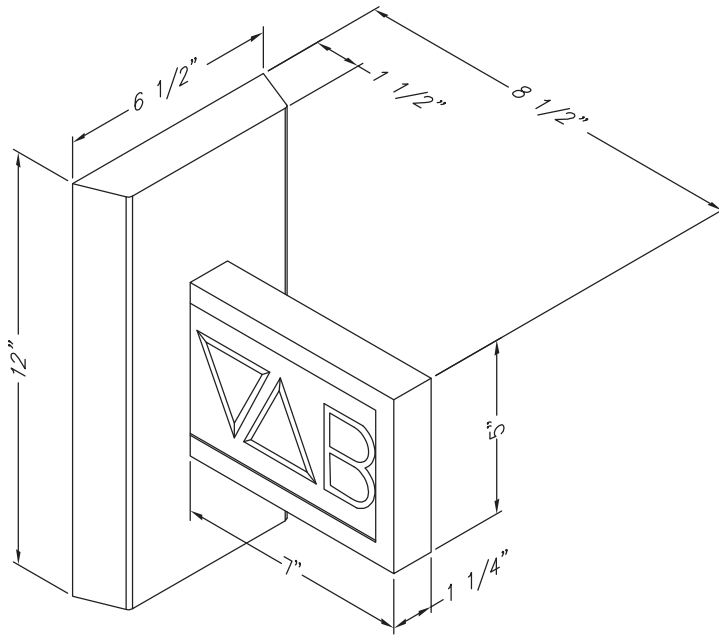
LENS:
 "R" = RED
 "G" = GRAY
 "B" = BLUE
 "X" = NO LENS



PANEL PREP



#6-32 X 1 1/4"
 STUD MIN.
 (TYP. 6 PLS.)



MFLAG-XXXXXXX LED EXTENDED DESTINATION ARROW

Long life, solid state LED's, 100,000 hour rated life. Accepts existing signals over the Micro Comm link. It includes arrival arrows which are green in the up direction and red in the down with Destination characters in blue for 180° viewing. The unit is also equipped with an arrival gong, and Destination tones. The programming is dip switch selectable.

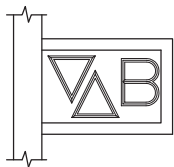
Typical Applications:

- Hall/Destination Lanterns
- Lantern/Destination combo with 180° viewing angle.

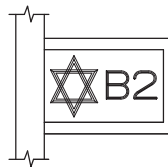
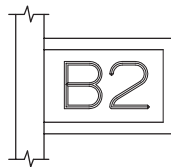
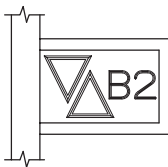
Features:

- 2 1/2" & 3" characters
- 180° viewing angle lantern
- 1 year factory warranty
- Conforms to ADAAG 4.10.4
- Includes speaker

Standard:



Special Options:



NOTE: Lead times vary.

TO ORDER: - SPECIFY MFLAG - X X X X X X X

STYLE:

- *000" = CUSTOM
- *001" = INTERMEDIATE UP/DOWN ARROWS 3IN
- *002" = TERMINAL UP 3IN
- *003" = TERMINAL DOWN 3IN
- *004" = INTERMEDIATE UP/DOWN SINGLE CHARACTER 2.5IN
- *005" = TERMINAL UP w/SINGLE CHARACTER 3 IN
- *006" = TERMINAL DOWN w/SINGLE CHARACTER 3IN
- *007" = SINGLE CHARACTER 3IN

COLOR:

(Up color, Down color, Character color)
XXX = Combinations of Red, Green, Blue, White

METAL:

- *1" = #4 Stainless Steel
- *2" = #8 Stainless Steel
- *3" = #4 Muntz 60/40
- *4" = #8 Muntz 60/40
- *C" = Custom

DESTINATION-BASED ANNUNCIATORS

Part ID

MDBA06-HBR00X	12 Character	1.0"	Red	Horizontal
MDBA06-HBR32R	12 Character	1.0"	Red	Horizontal
MDBA06-HBR32X	12 Character	1.0"	Red	Horizontal
MDBA06-HBRMCX	12 Character	1.0"	Red	Horizontal
MDBA08-HBW00X	16 Character	1.0"	White	Horizontal
MDBA10-HBBMCG	20 Character	1.0"	Blue	Horizontal
MDBA10-HBR32X	20 Character	1.0"	Red	Horizontal
MDBA10-HBRMCR	20 Character	1.0"	Red	Horizontal
MDBA10-HBW00X	20 Character	1.0"	White	Horizontal
MDBA10-VAB00X	20 Character	0.5"	Blue	Vertical
MDBA10-VAR00X	20 Character	0.5"	Red	Vertical
MDBA10-VARMCR	20 Character	0.5"	Red	Vertical
MDBA10-VARMCX	20 Character	0.5"	Red	Vertical
MDBA19-XXXXX	19 Character	2.0"	Red, Green, Blue, Amber	Horizontal

Call C.E. Electronics, Inc. for specific product details.

Look To C.E. For Solutions.



C.E. Electronics, Inc.

C.E. Electronics, Ltd.

International Lift Equipment (ILE)

2107 Industrial Drive Bryan, OH 43506

Marlow, Bucks, UK

Highams Park, London, UK

ph: 419.636.6705

ph: +44 (0) 1628 487633

ph: 0208 527 9669

www.cееlectronics.com

www.cееlectronics.co.uk

www.ileweb.com

