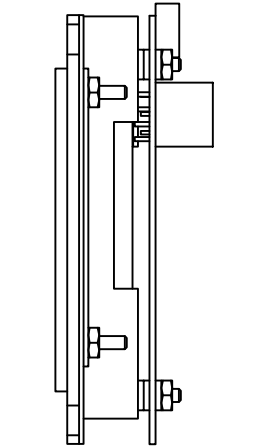
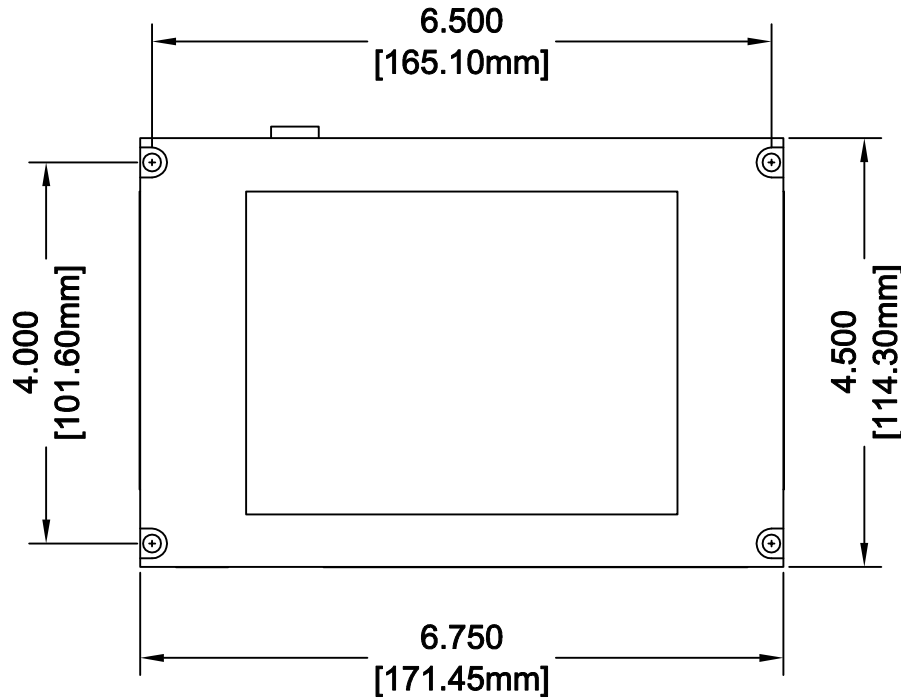



DD57-3

Ver. 2 Rel. 8/09/2013



1.750
[44.45mm]
Depth for reasonable wiring space

LENS NUMBER:	BOARD # & REV:
APPROVED BY:	
Signature: _____	
Date: _____	
Company: _____	

DATE DRAWN: 1/08/2013	LAST DATE REVISED:	SCALE NONE	PART #:
DRAWN BY: DWS	TOLERANCE UNLESS OTHERWISE SPECIFIED:		 C.E. ELECTRONICS, INC. 2107 Industrial Drive Bryan, Ohio 43506 (419) 636-6705
REQUESTED BY: CS	TOLERANCE FOR CUTOUT (WINDOW):		
TITLE:	DWG. NO. DD57-3	REV:	