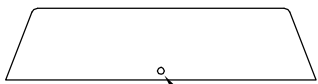
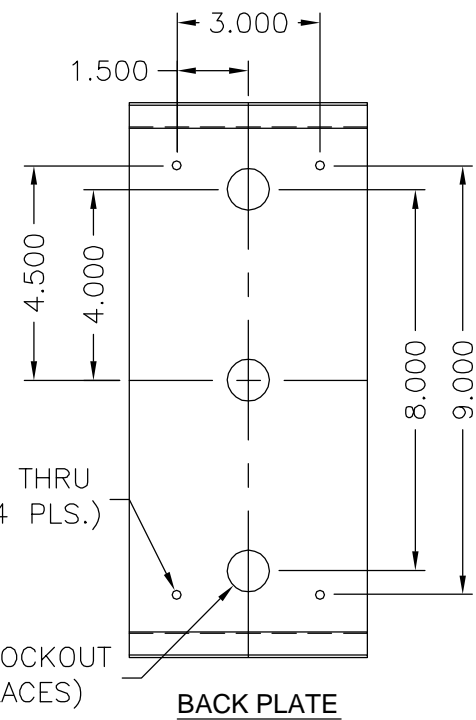
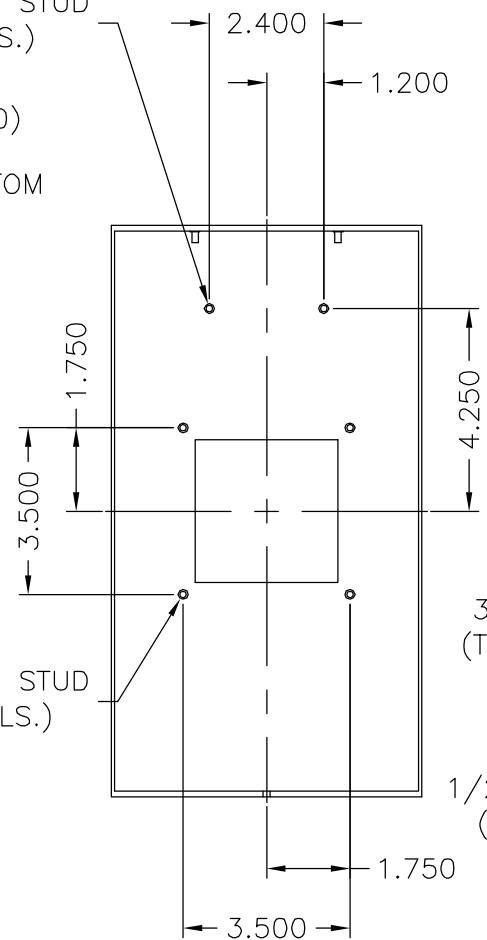
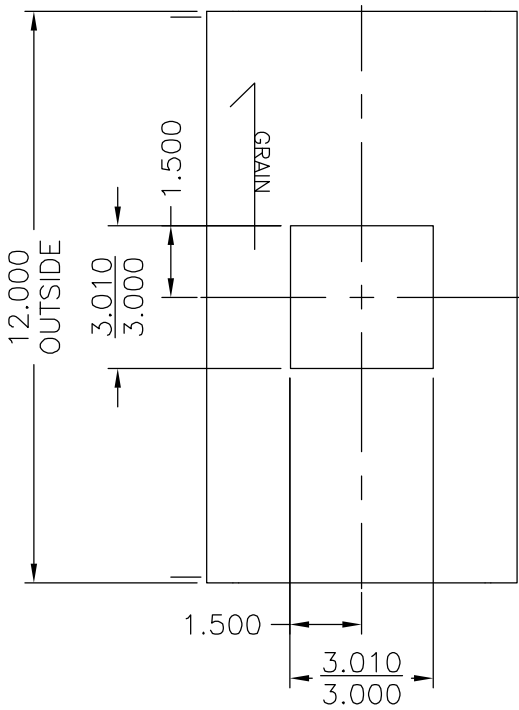


#6-32 x 1/2" STUD
(TYP. 2 PLS.)

10 GA. (.120)
END PLATE
TOP & BOTTOM

16 GA.
(.060)
CHASSIS

#6-32 X 1" STUD
(TYP. 4 PLS.)

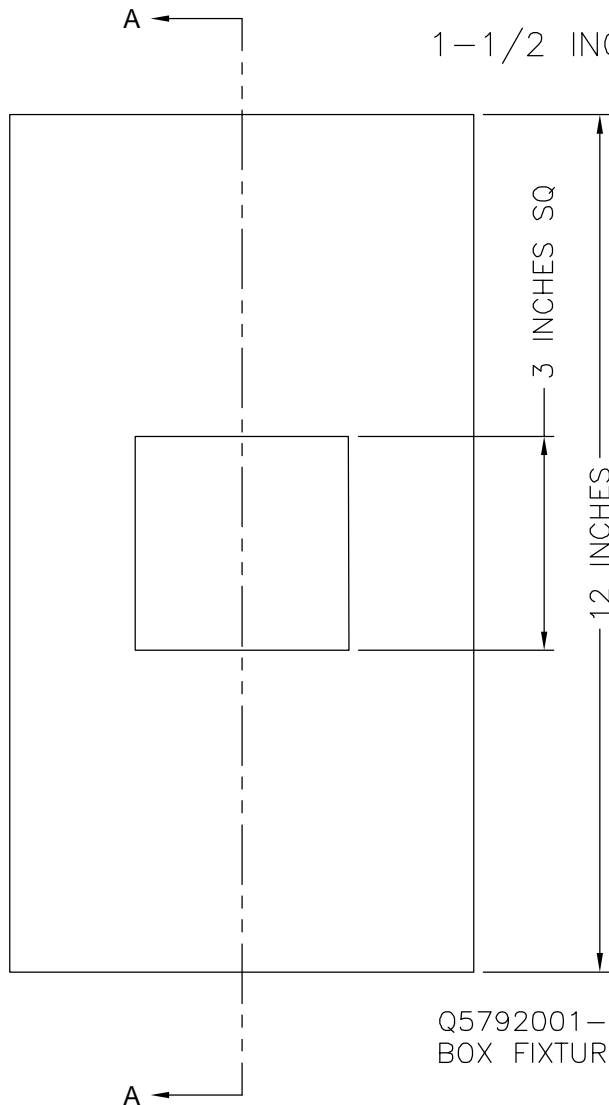
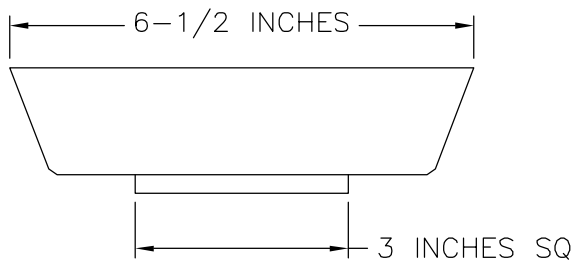


#6-32 SET SCREW

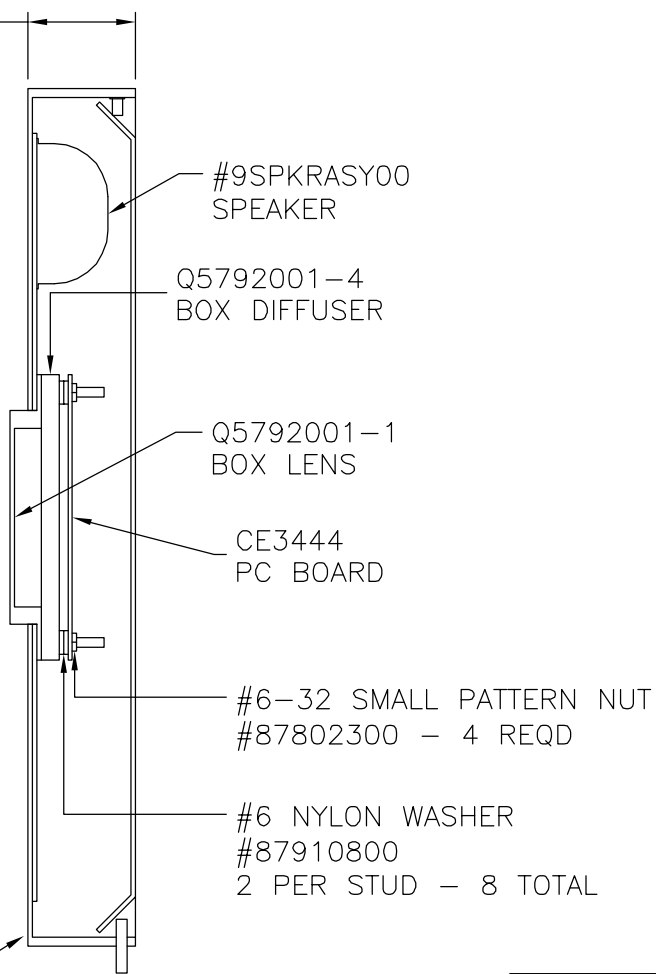
MATERIAL: STAINLESS STEEL - NOTED
FINISH: #4 BRUSHED - VERTICAL GRAIN
NOTE: BACK PLATE INCLUDED

LENS NUMBER:	BOARD # & REV:
APPROVED BY:	
Signature: _____	
Date: _____	
Company: _____	

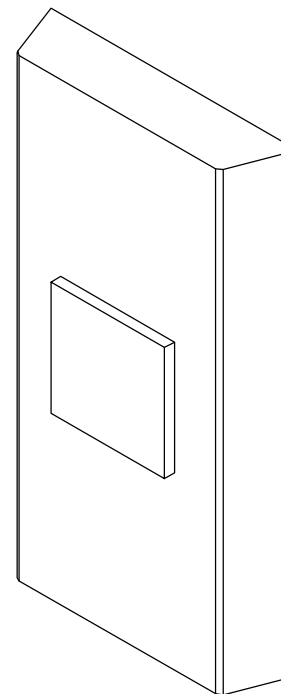
DATE DRAWN: 6/10/09	LAST DATE REVISED 1/07/2011	SCALE NONE	PART #:
DRAWN BY: D.W.S.	TOLERANCE UNLESS OTHERWISE SPECIFIED: +0.015, -0.015		 C.E. ELECTRONICS, INC. 2107 Industrial Drive Bryan, Ohio 43506 (419) 636-6705
REQUESTED BY: R.T.	TOLERANCE FOR CUTOFF (WINDOW):		
TITLE: C.E. BOX FIXTURE		DWG. NO. 70100140	REV: A



SECTION A-A



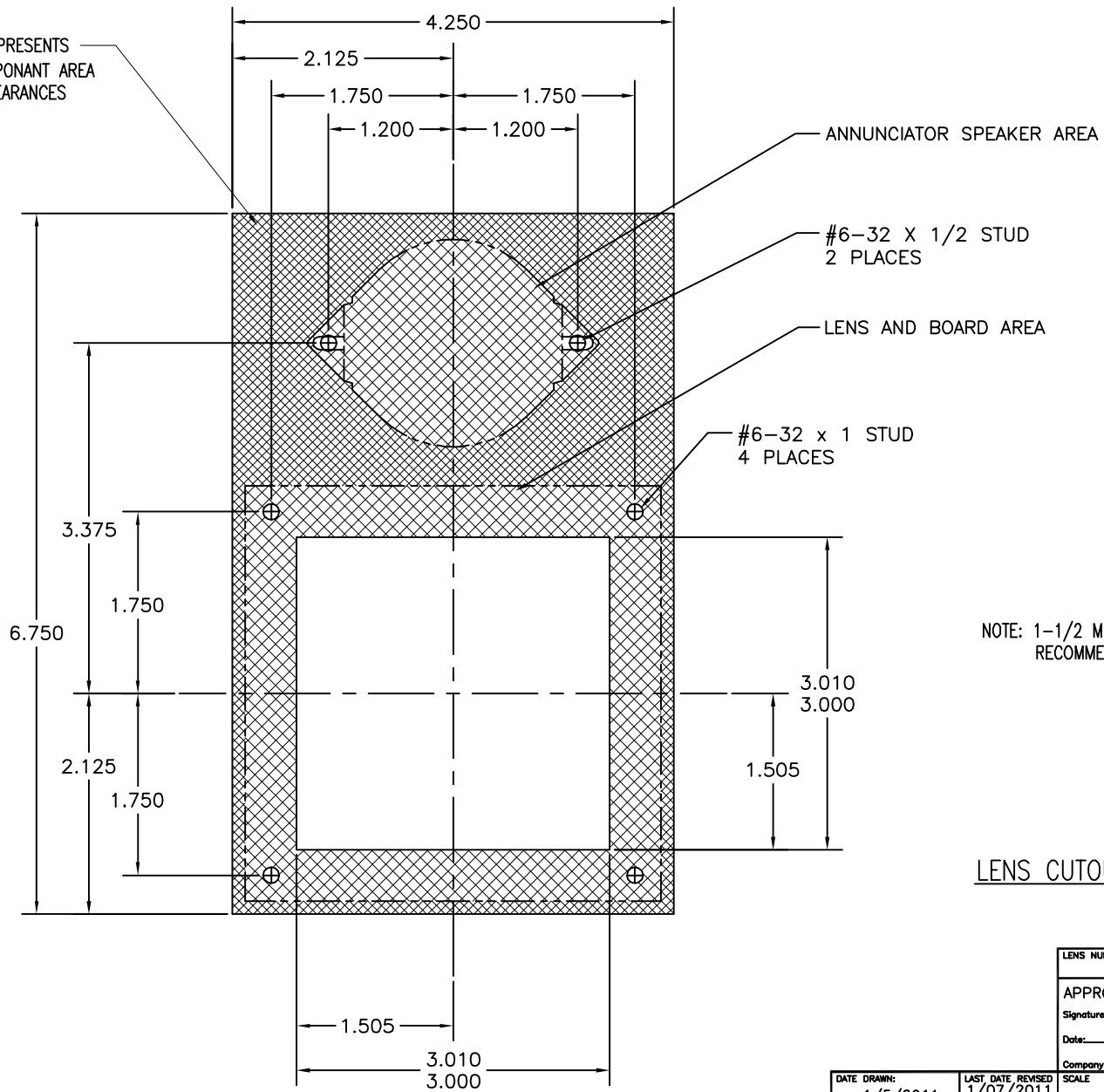
Q5792001-2
BOX FIXTURE



LENSE NUMBER:	BOARD # & REV:
APPROVED BY:	
Signature: _____	
Date: _____	
Company: _____	

DATE DRAWN: 6/10/09	LAST DATE REVISED 1/07/2011	SCALE NONE	PART #:
DRAWN BY: D.W.S.	TOLERANCE UNLESS OTHERWISE SPECIFIED: +0.015, -0.015	 C.E. ELECTRONICS, INC. 2107 Industrial Drive Bryan, Ohio 43506 (419) 636-6705	
REQUESTED BY: R.T.	TOLERANCE FOR CUTOFF (WINDOW):		
TITLE: BOX FIXTURE - CUSTOMER		DWG. NO. 70100140	REV: A


SHADED AREA REPRESENTS
ELECTRONIC COMPONENT AREA
FOR MINIMUM CLEARANCES



NOTE: 1-1/2 MINIMUM DEPTH
RECOMMENDED

LENS CUTOUT AND STUD DETAIL

LENS NUMBER:	BOARD # & REV:
APPROVED BY:	
Signature:	
Date:	
Company:	

DATE DRAWN: 1/5/2011	LAST DATE REVISED 1/07/2011	SCALE NTS	PART #:
DRAWN BY: RNT	TOLERANCE UNLESS OTHERWISE SPECIFIED:		 C.E. ELECTRONICS, INC. 2107 Industrial Drive Bryan, Ohio 43506 (419) 636-6705
REQUESTED BY:	TOLERANCE FOR CUTOUT (WINDOW):		
PAGE 3 OF 3		TITLE: C.E. BOX - PANEL PREP	DWG. NO. 70100140