

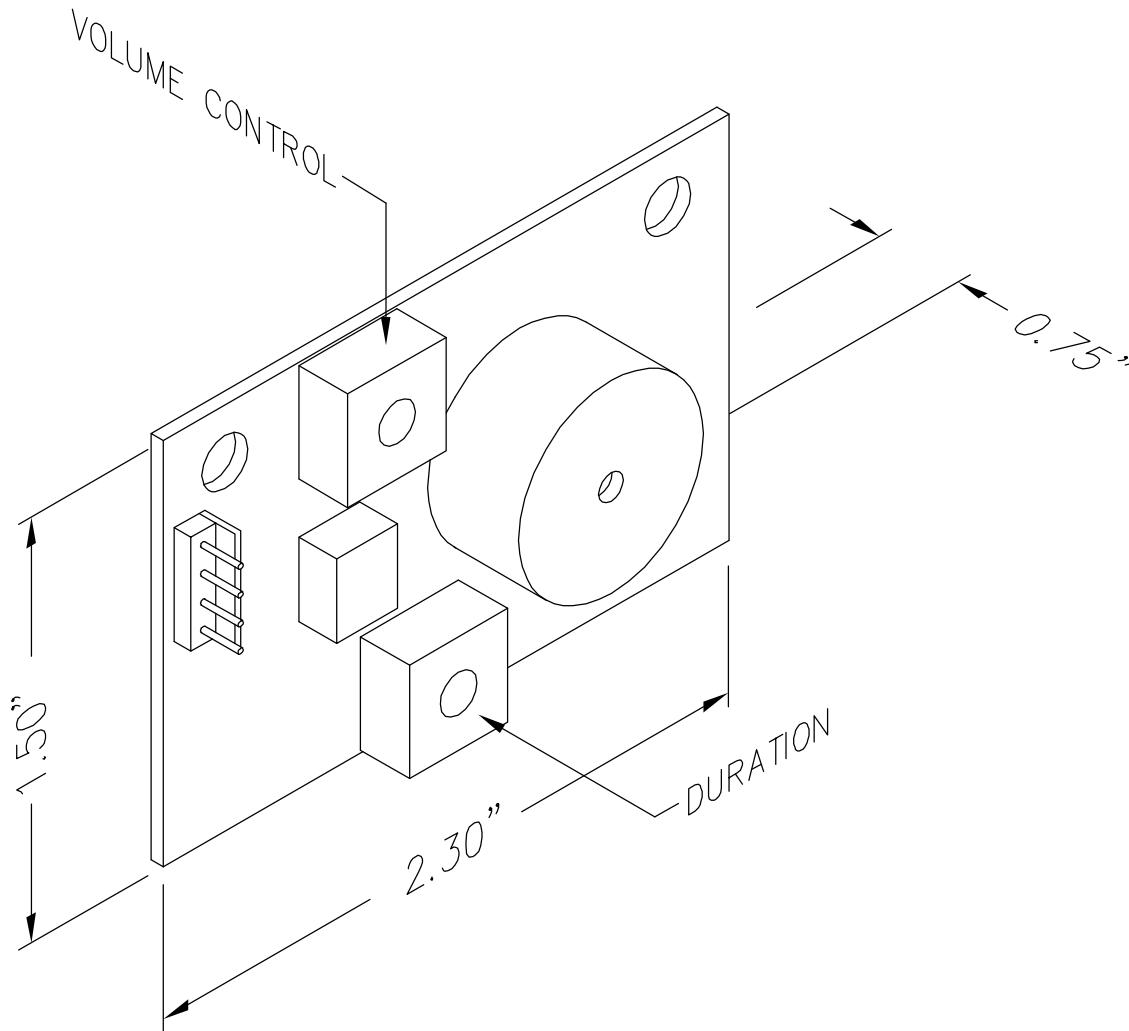


PASSING CHIME BOARD

Small compact adaptor can be used with various C.E. position indicator families. The chime is hooked up via 4 wires to the P.I. requiring no additional external wiring. The chime board gives an audible signal indication whenever a floor is passed in either direction. The volume and decay are adjustable on the unit. The passing chime can be mounted directly to the display or can be attached by velcro to a nearby surface.

Features:

- Small, compact
- Adjustable volume
- Adjustable decay
- No external wiring
- Inexpensive
- Easy Installation
- Conforms to ADAAG 4.10.13



NOTE:

1. This is not a stand alone device. Must be used in conjunction with a C.E. display.

TO ORDER - SPECIFY MPCB1