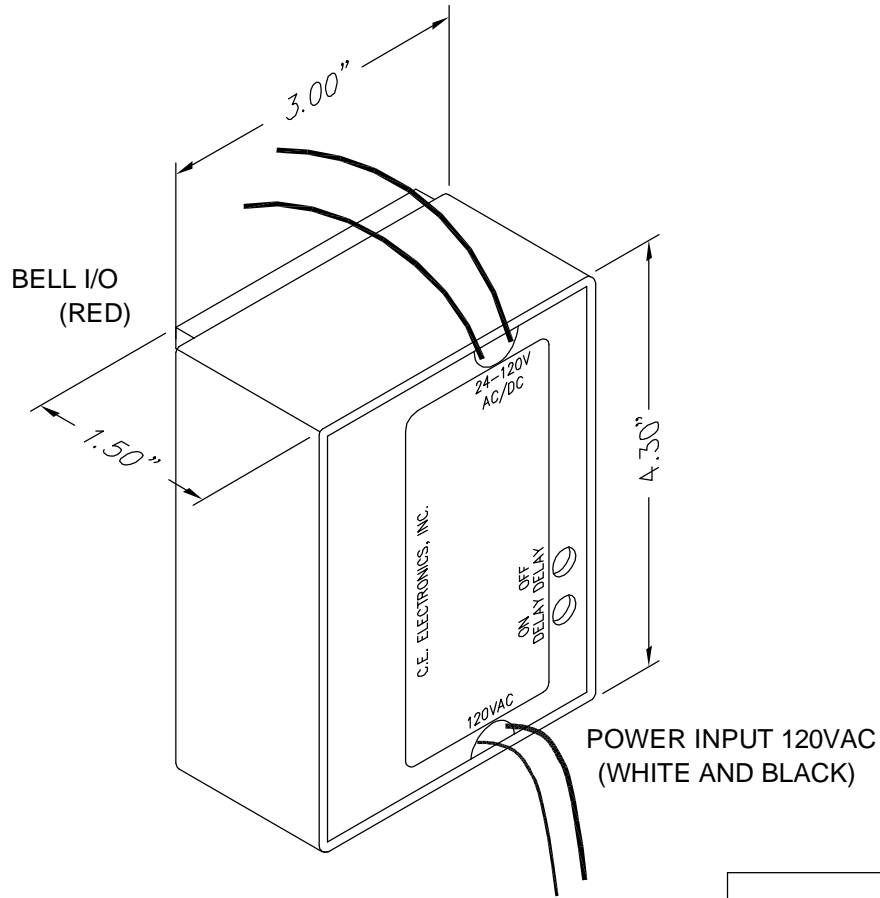




MODTD-X

Ver. 1 Rel. 05/29/02

A.D.A.



ONE PULSE / TWO PULSE

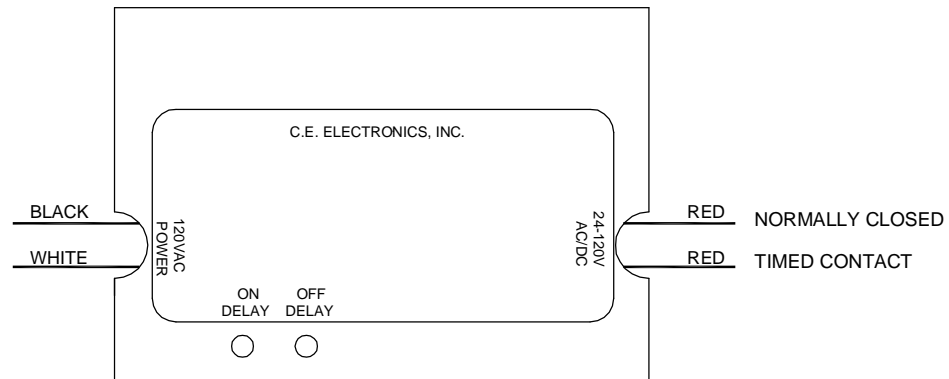
Highly reliable, solid state sensor that adds a second stroke to an existing down bell application. The unit installs in the Machine room in two easy steps. Only one unit is necessary per car. The sense circuit accepts voltages ranging from 25 to 120v AC or DC.

Features:

- Compact design
- Cost effective
- Easy hookup
- One per car
- Velcro fastening
- Adjustable delay
- Utilizes existing bells
- Universal sense circuit
- Conforms to ADA AG 4.10.4
- Maximum current draw 1.25 amp

TO ORDER - SPECIFY MODTD - X

"F" = FET
 "R" = RELAY



NOTE:

This is a control device and is not equipped with any audible device.