

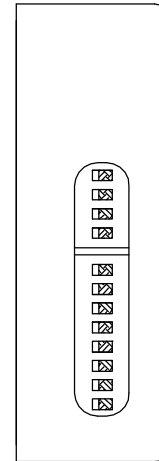
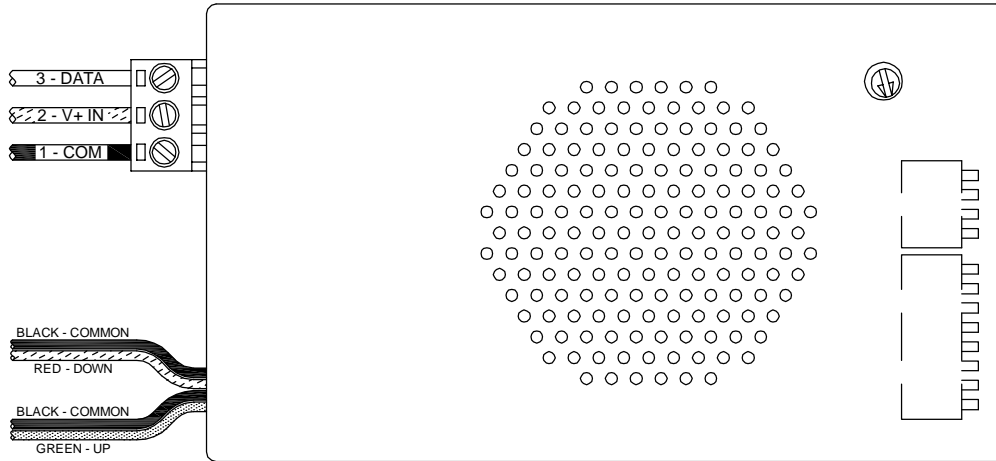


C.E. Electronics, Inc.  
 2107 Industrial Drive  
 Bryan, OH 43506  
 PH (419) 636-6705 FX (419) 636-2516  
 www.ceelectronics.com

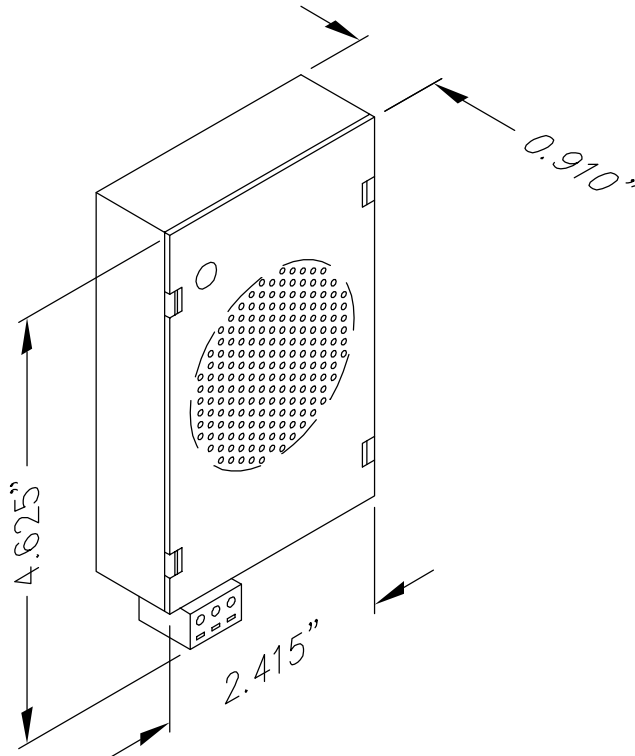
# M3491-X

Ver. 1 Rel. 10/15/09

MICRO COMM®



END VIEW



## ARRIVAL GONG / LANTERN DRIVER

This unit is designed to sound: Arrival gong from the Micro Comm 3 wire network. Solid State Output to drive LED or lamps at a maximum 250mA per output.

### Typical Applications

- For car or hall audio indications

### Features:

- Adjustable volume
- Arrival chime
- Compact Design
- Serial Hookup
- Conforms to ADAAG 4.10.4
- Solid State output
- Maximum 250mA per output @ 24VDC

TO ORDER: SPECIFY M3491 - X

FORMAT:  
 "1" = 24VDC  
 "0" = 14VDC