



MSBUT-XX

Ver. 2 Rel. 05/07/2013

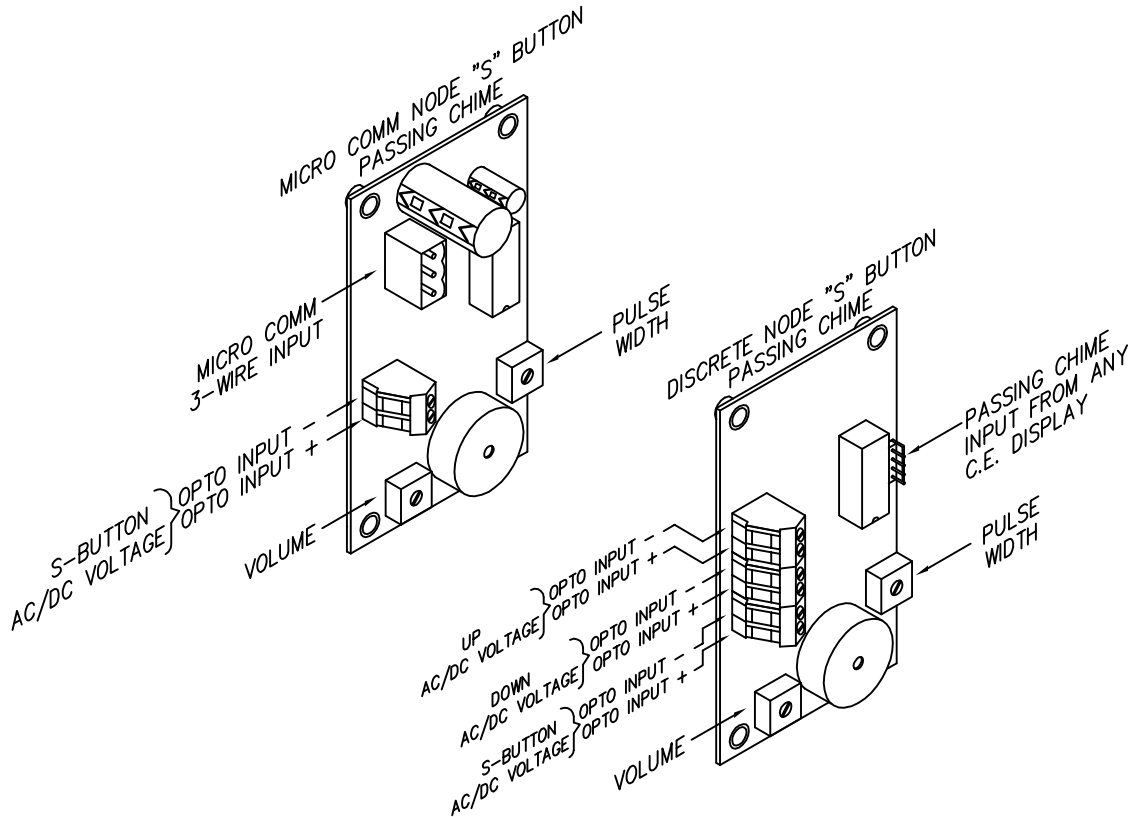
A.D.A.

"S" BUTTON INTERFACE

A highly reliable, solid state interface board allows you to activate the passing chime only when needed. When the "S" button interface is activated, it allows the chime to sound until the direction of the car is changed. Once changed, the unit must reset to hear the audible once again.

Features:

- Solid state device
- Compact design
- Micro Comm compatible
- Conforms to ADAAG A4.10.13 and NE11 handicapped standard



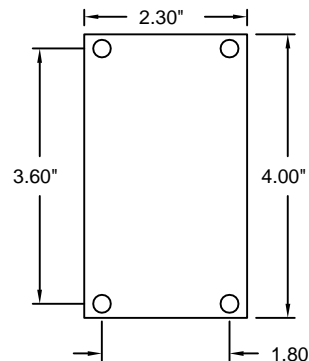
TO ORDER - SPECIFY MSBUT - X X

UP/DOWN VOLTAGE:

- "A" = 6-20VAC/DC, 24VAC
- "B" = 24-48VDC, 48VAC
- "C" = 120VAC
- "D" = 125VDC
- "M" = MICRO COMM

S-BUTTON VOLTAGE:

- "A" = 6-20VAC/DC, 24VAC
- "B" = 24-48VDC, 48VAC
- "C" = 120VAC
- "D" = 125VDC
- "R" = DRY CONTACT



MINIMUM DEPTH REQUIRED: 1.25"

NOTE:

1. For Micro Comm, connect up/down signals on MCCA-XXXXXXX central control unit in machine room to cancel passing chime on demand.
2. If a special voltage is required, please consult factory.