

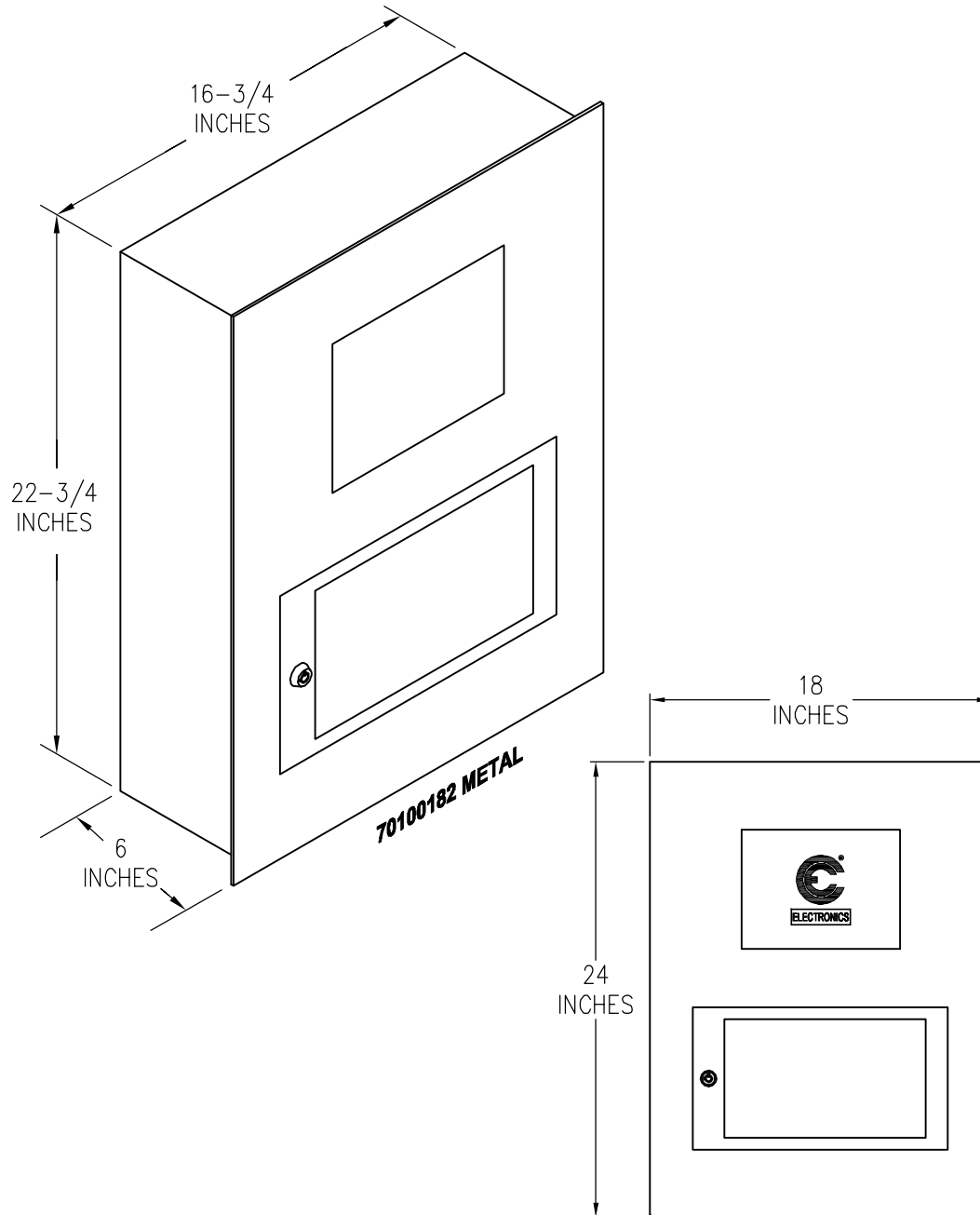


C.E. Electronics, Inc.
 2107 Industrial Drive
 Bryan, OH 43506
 PH (419) 636-6705 FX (419) 636-2516
 www.ceelectronics.com

MBS100-XX

Ver. 2 Rel. 12/2/2022

System[®]



MBS100-XX

The MBS100 is designed to accommodate 3-8 cars, with a 4-bank maximum. A 10.4 inch Industrial TFT screen provides a sleek and modern single point visual status of all cars. Messages such as Fire Phase 1 & 2, Emergency Power, Car to Lobby, Out of Service and others can be shown on screen. There is an option to add a Fireman's Jack. Key switch interface is through the MBS system, as opposed to being hard wired into a machine room. Typical industry standard lobby panels require multi-conductor wire pulls for each car, while the MBS Lobby Panel Series only requires a single 3-TWSP (actually requires 2-TWSP & 1 common) cable for the entire group.

Typical Applications

- FCC/CACF elevator control lobby panel
- Elevator status panel
- Remote security monitoring

Features:

- Lower total system install cost
- Single 3-twisted shielded pair from machine room to lobby panel
- Pre-wired key switches
- 4 Standard number of car messages, 8 messages maximum screen size dependant, 4 for group messages
- Building Network Option Availability
- Reduced lead time - Standard Stock Panel
- 0-70°C operating temperature

MBS100- X X

FIRE KEYSWITCH OPTION

- "F" = FE0K1
- "M" = MEDECO
- "0" = Custom (Specify)

NUMBER OF ELEVATORS

- "4" = UP TO 4 ELEVATORS
- "8" = UP TO 8 ELEVATORS