

EMN90-CHX

9.0" MAX BANK



MAX BANK

9.0" MAX

The Max Bank series of TFT screens provides a flexible informational elevator status panel for up to 8 cars. The system can display 8 messages per car and 4 messages per bank. The system which can display information for up to 8 cars across 4 banks is designed to use a single twisted shielded pair plus a common from the interface in the machine rooms to the status panel eliminating the need for costly multi-conductor cable pulls.

TYPICAL APPLICATIONS:

- > Status panel
- > Lobby panel
- > Security panel

FEATURES:

- > Up to 8 cars
- > Across up to 4 banks
- > Up to 8 priority messages
- > Up to 4 bank messages
- > Through a single twisted shielded pair plus a common



C.E. Electronics, Inc. (US) 2107 Industrial Drive, Bryan, Ohio 43506 p: 419.636.6705 www.cееlectronics.com

C.E. Electronics, Ltd. (UK) P.O. Box 1679 Marlow, Bucks SL7 3ZG, UK p: +44 (0) 1628 487633 www.cееlectronics.co.uk

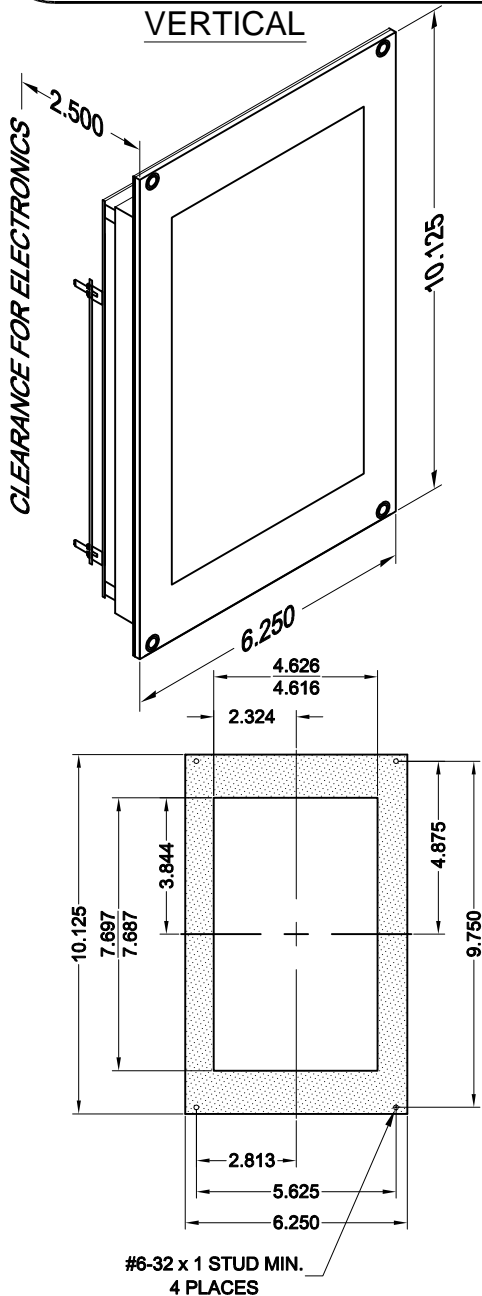


C.E. Electronics, Inc.
 2107 Industrial Drive
 Bryan, OH 43506
 PH (419) 636-6705 FX (419) 636-2516
 www.ccelectronics.com

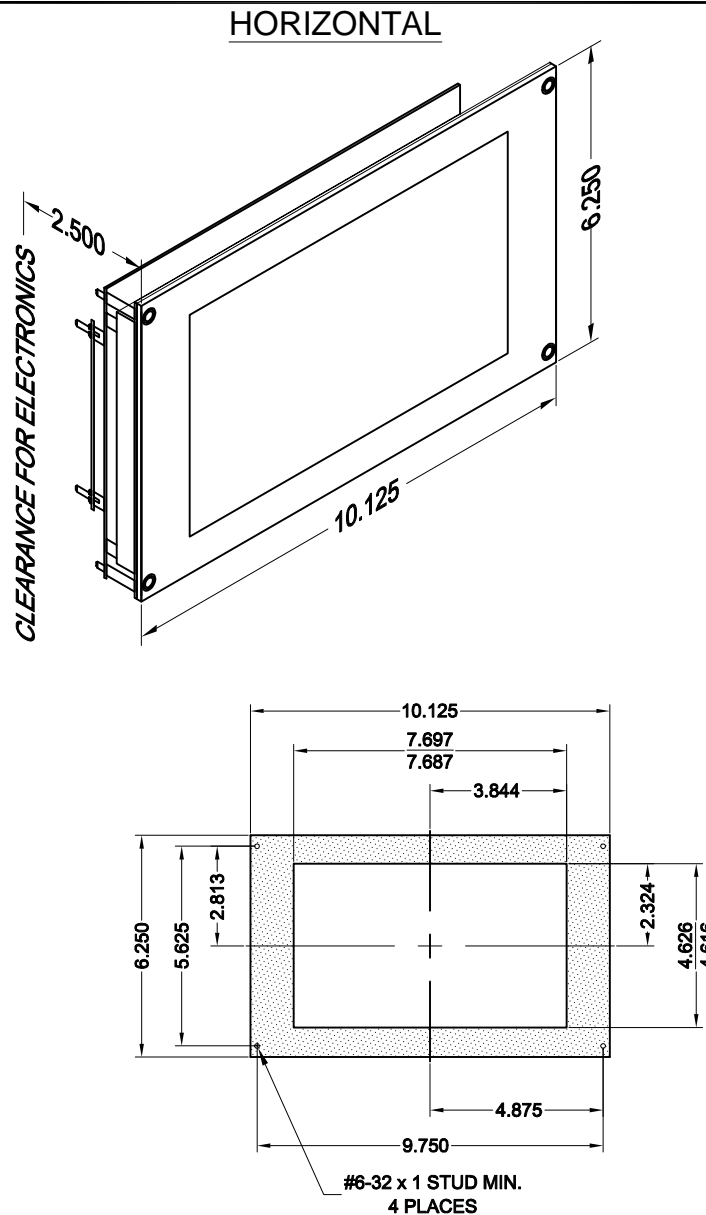
EMN90-CHX

Ver. 1 Rel. 04/13/2015

MAX PI™



PANEL PREP



PANEL PREP

9.0" Max

The Max is a flexible information indicator which can be customized for any building or corporation. This customization can reflect architectural elements, color schemes, with a full 256 color TFT screen and corporate identity. Within this customization, information can be presented to passengers regarding the elevator's current position and direction, arrival arrows along with priority messages from the controller. It's also designed to be a destination type display showing floors served when in destination mode. These units also have a non-movement selectable time blanking to help preserve backlight life.

Typical Applications

- Car operating panel
- Car transom
- Lobby/arrival
- Destination Display
- Messaging

Features:

- Passing chime output
- Self testing
- Low voltage
- Backlight saver function / default on 30 min.
- USB up datable
- MicroComm input

TO ORDER: - EMN90 - CHX

"H" = HORIZONTAL (Landscape)

"V" = VERTICAL (Portrait)

HORIZONTAL RELATED DRAWINGS

DESCRIPTION	DRAWING NAME
PANEL PREP.	PP90-5
DETAIL DIM.	DD90-5

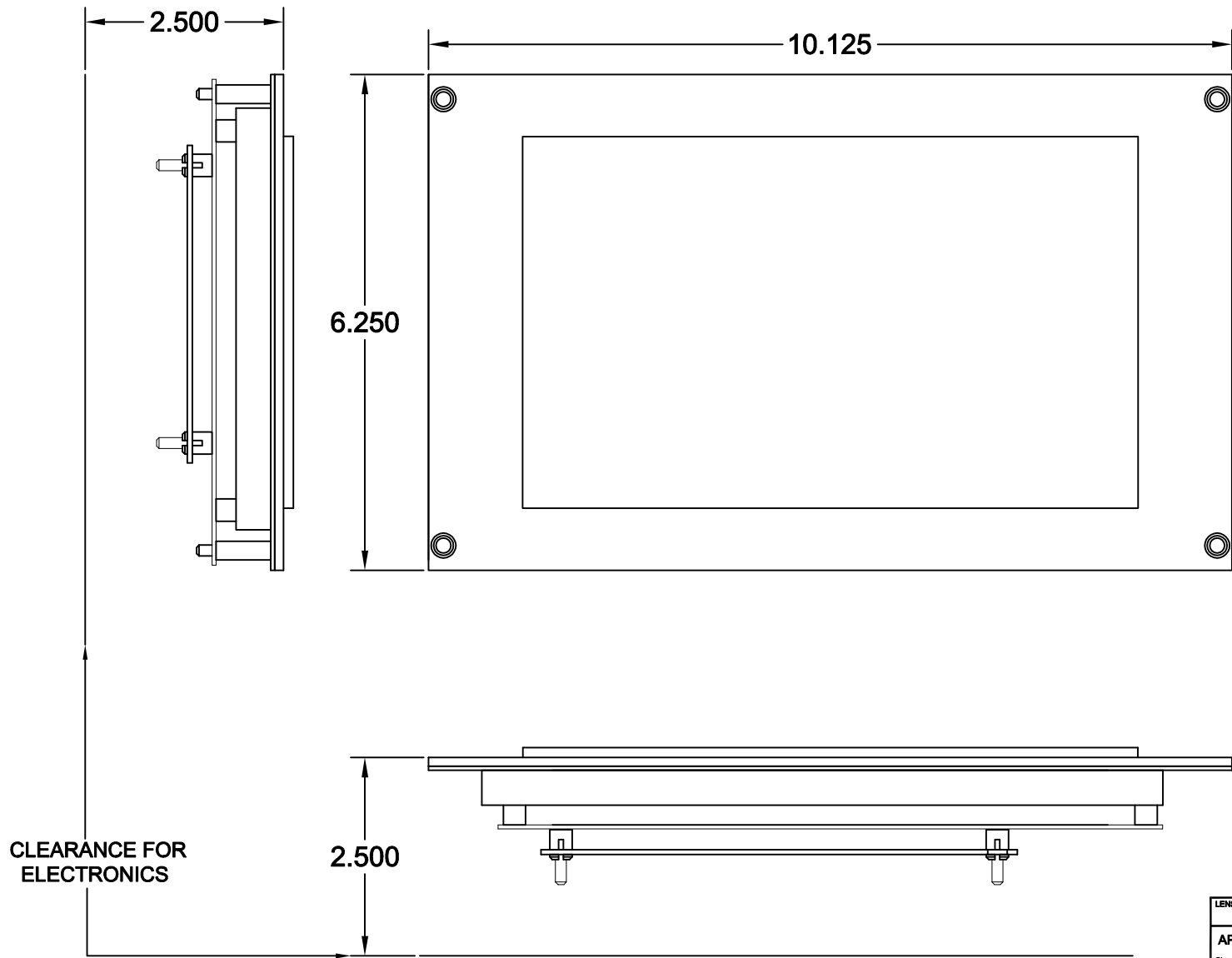
VERTICAL RELATED DRAWINGS

DESCRIPTION	DRAWING NAME
PANEL PREP.	PP90-6
DETAIL DIM.	DD90-6


~ Some features may not be available for your system. Please check with your manufacture or engineering for special features. ~

DD90-5

Ver. 1 Rel. 4/13/2015

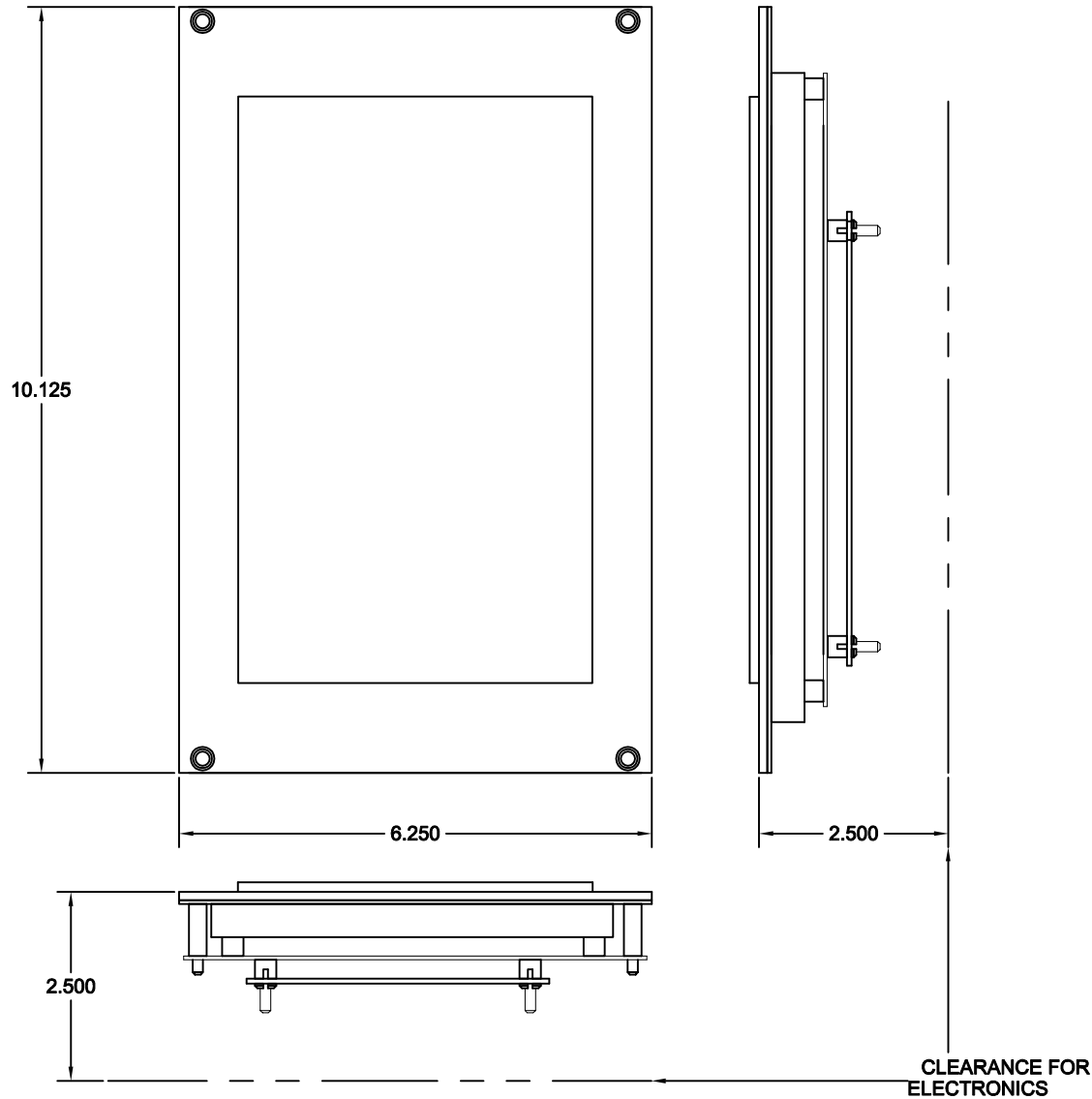


LENS NUMBER:	BOARD # & REV:
APPROVED BY:	
Signature:	
Date:	
Company:	

DATE DRAWN: 4/13/2015	LAST DATE REVISED .	SCALE NTS	PART #:
DRAWN BY: DWS	TOLERANCE UNLESS OTHERWISE SPECIFIED: ±.015		 C.E. ELECTRONICS, INC. 2107 Industrial Drive Bryan, Ohio 43506 (419) 636-6705
REQUESTED BY: TE	TOLERANCE FOR CUTOUT (WINDOW):		
TITLE:	DWG. NO. DD90-5	REV:	.


DD90-6

Ver. 1 Rel. 4/13/2015



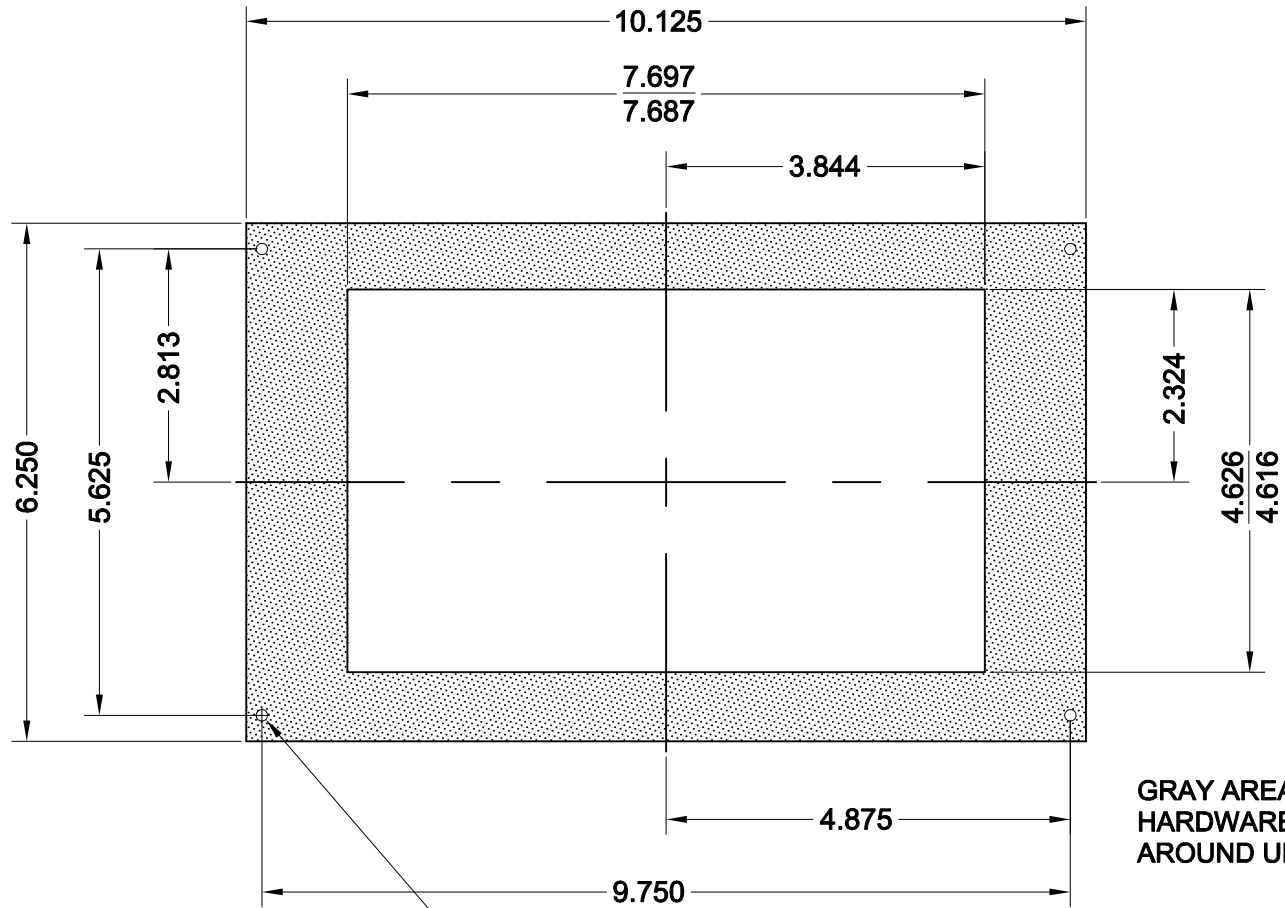
CLEARANCE FOR
ELECTRONICS

LENS NUMBER:	BOARD # & REV:
APPROVED BY:	
Signature: _____	
Date: _____	
Company: _____	

DATE DRAWN: 4/13/2015	LAST DATE REVISED:	SCALE NONE	PART #:
DRAWN BY: DWS	TOLERANCE UNLESS OTHERWISE SPECIFIED:		 C.E. ELECTRONICS, INC. 2107 Industrial Drive Bryan, Ohio 43506 (419) 636-6705
REQUESTED BY: TE	TOLERANCE FOR CUTOUT (WINDOW):		
TITLE: DD90-6	DWG. NO.:	REV:	

PP90-5

Ver. 1 Rel. 4/17/2015



**GRAY AREA INDICATES
HARDWARE SPACE
AROUND UNIT**

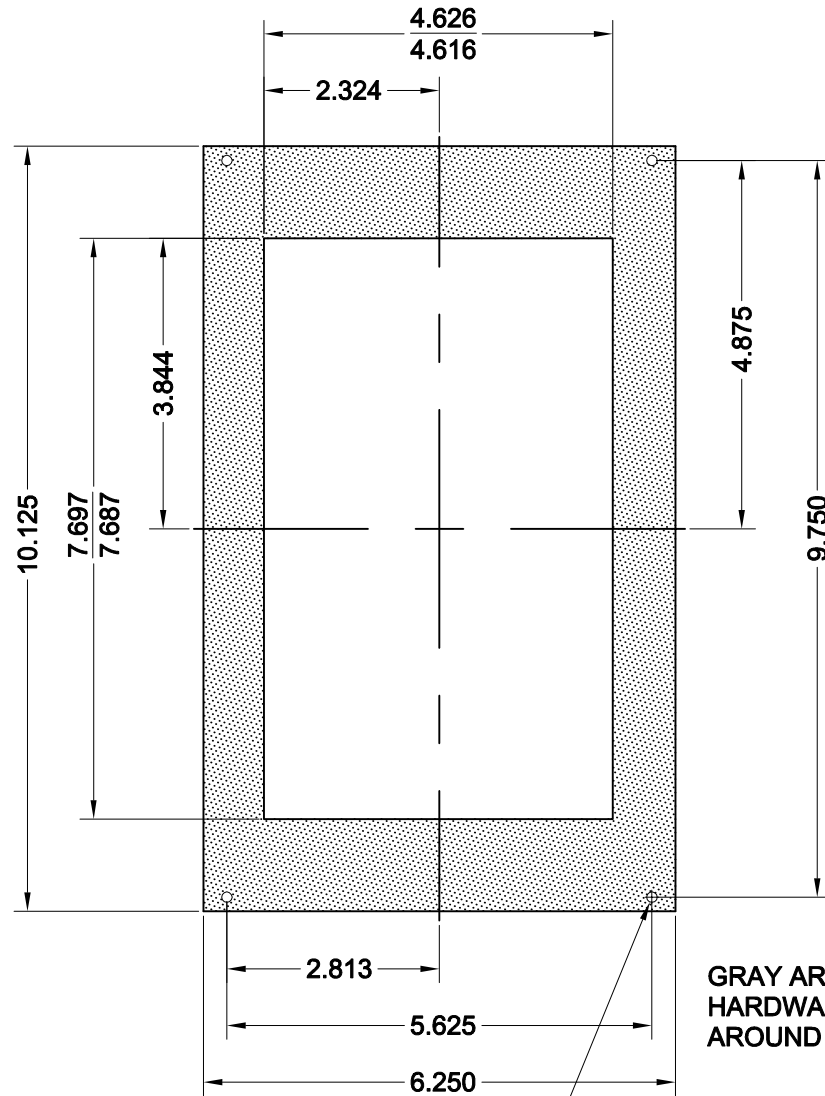
**#6-32 x 1 STUD MIN.
4 PLACES**

LENS NUMBER:	BOARD # & REV:
APPROVED BY:	
Signature: _____	
Date: _____	
Company: _____	

DATE DRAWN: 4/17/2015	LAST DATE REVISED:	SCALE: NONE	PART #:
DRAWN BY: DWS	TOLERANCE UNLESS OTHERWISE SPECIFIED: ±.015		C.E. ELECTRONICS, INC. 2107 Industrial Drive Bryan, Ohio 43506 (419) 636-6705
REQUESTED BY: TE	TOLERANCE FOR CUTOUT (WINDOW):		
TITLE: EMN90-CHX PANEL PREP			DWG. NO. PP90-5
			REV:

PP90-6


Ver. 1 Rel. 4/17/2015



GRAY AREA INDICATES
HARDWARE SPACE
AROUND UNIT

#6-32 x 1 STUD MIN.
4 PLACES

LENS NUMBER:	BOARD # & REV:
APPROVED BY:	
Signature: _____	
Date: _____	
Company: _____	

DATE DRAWN: 4/17/2015	LAST DATE REVISED:	SCALE: NONE	PART #:
DRAWN BY: DWS	TOLERANCE UNLESS OTHERWISE SPECIFIED: ±.015		 C.E. ELECTRONICS, INC. 2107 Industrial Drive Bryan, Ohio 43506 (419) 636-6705
REQUESTED BY: TE	TOLERANCE FOR CUTOUT (WINDOW):		
TITLE: EMN90-CHX PANEL PREP			DWG. NO. PP90-6
			REV:

MAX BANK

MAX BANK SERIES



MAX BANK SERIES

MACHINE ROOM INTERFACE

The interface consist of several boards, the main unit is a car position consolidator, we offer a 2 car, or a 3 to 8 car version.

Input boards are fullwave with optically Isolated Inputs.

Output boards are pluggable relay with both NO/NC contact available.

FEATURES:

- > MICRO COMM interface
- > RSL interface (proprietary)



C.E. Electronics, Inc. (US) 2107 Industrial Drive, Bryan, Ohio 43506 p: 419.636.6705 www.ceelectronics.com

C.E. Electronics, Ltd. (UK) P.O. Box 1679 Marlow, Bucks SL7 3ZG, UK p: +44 (0) 1628 487633 www.ceelectronics.co.uk