

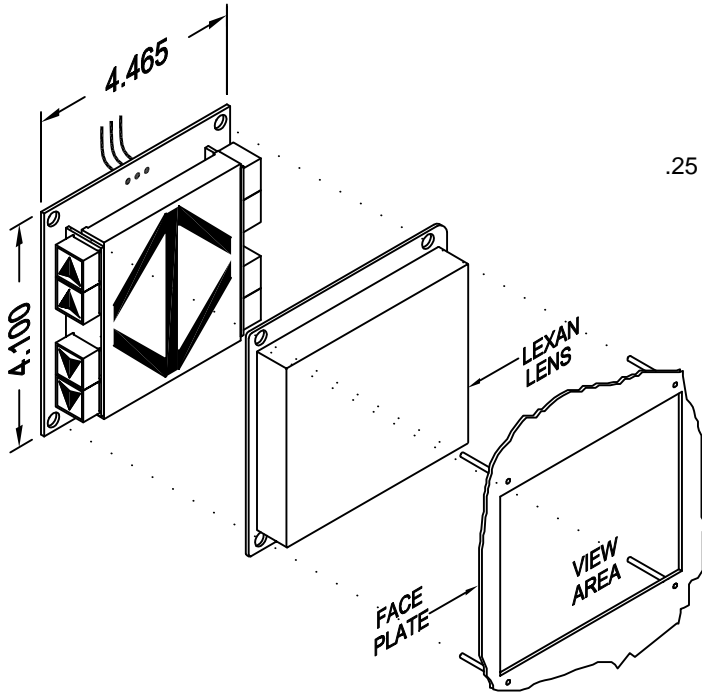


C.E. Electronics, Inc.
 2107 Industrial Drive
 Bryan, OH 43506
 PH (419) 636-6705 FX (419) 636-2516
 www.ceelectronics.com

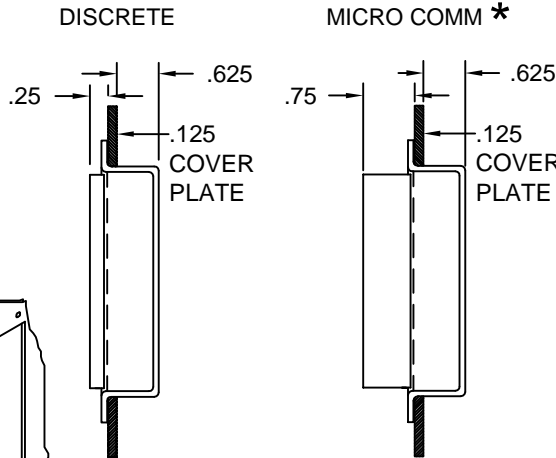
ASB30-XXXX

Ver. 8 Rel. 11/02/2016

A.D.A.



SIDE VIEW



3.0 INCH LED ARROW

Long life, solid state bi-color, blue or white arrow for lanterns, 100,000 hour rated life. Accepts signals from 18 to 130 volts, AC or DC. The bi-color arrow is green for up and red for down. We also have white or blue up and down with matching sidebars for 180° viewing.

Typical applications:

- Hall or car lanterns with 180° viewing angle

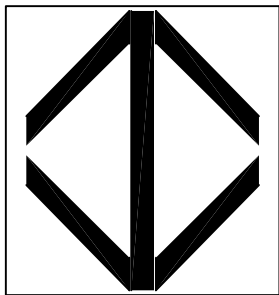
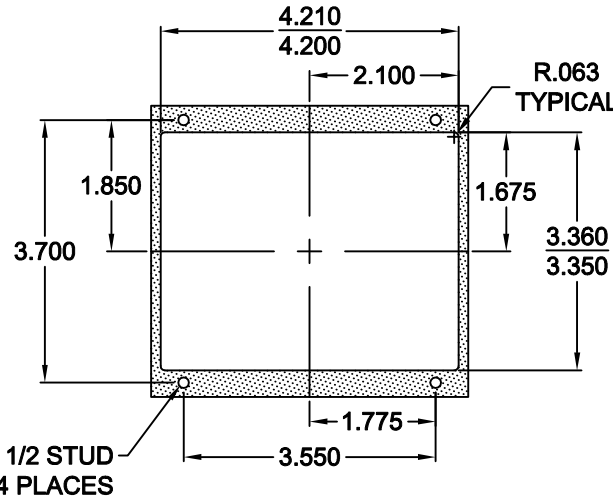
Features:

- Ultra-thin packaging
- Red down/green up, solid blue or solid white 3 inch Arrow
- Fast, 3-wire hookup
- 1 year factory warranty
- Conforms to ADAAG 4.10.4
- 180° viewing angle
- Solid side bar/arrow

RENEWAL PARTS

Lens: 104-6023 GRAY

PANEL PREPARATION



3.0 INCH ARROW

NOTES:

1. This is not a stand alone unit.*
Must be used in conjunction with MCCU controller.
2. For arrival gong, specify TG024-BFM *
3. If a special voltage is required, please consult factory.

TO ORDER - SPECIFY ASB30 - X X X X

COLOR:

- "X" = BI-COLOR GREEN/RED
- "B" = BLUE
- "W" = WHITE

SIGNAL VOLTAGES:

- "Z" = +/- 18-130 VAC/DC
- "M" = MICRO COMM*

SIGNAL FORMAT: (if Micro Comm)

- "A" = ARRIVAL
- "T" = TRAVEL
- "X" = NO SELECTION

LENS:

- "G" = GRAY
- "X" = NO SELECTION