

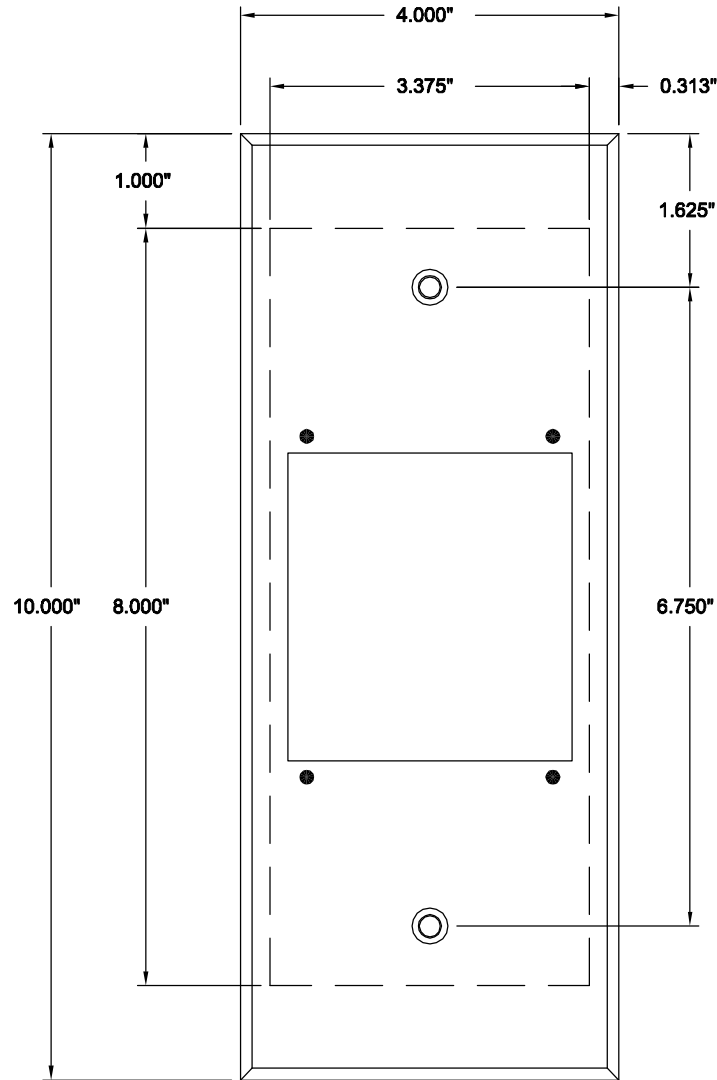


C.E. Electronics, Inc.
 2107 Industrial Drive
 Bryan, OH 43506
 PH (419) 636-6705 FX (419) 636-2516
 www.ccelectronics.com

70100009

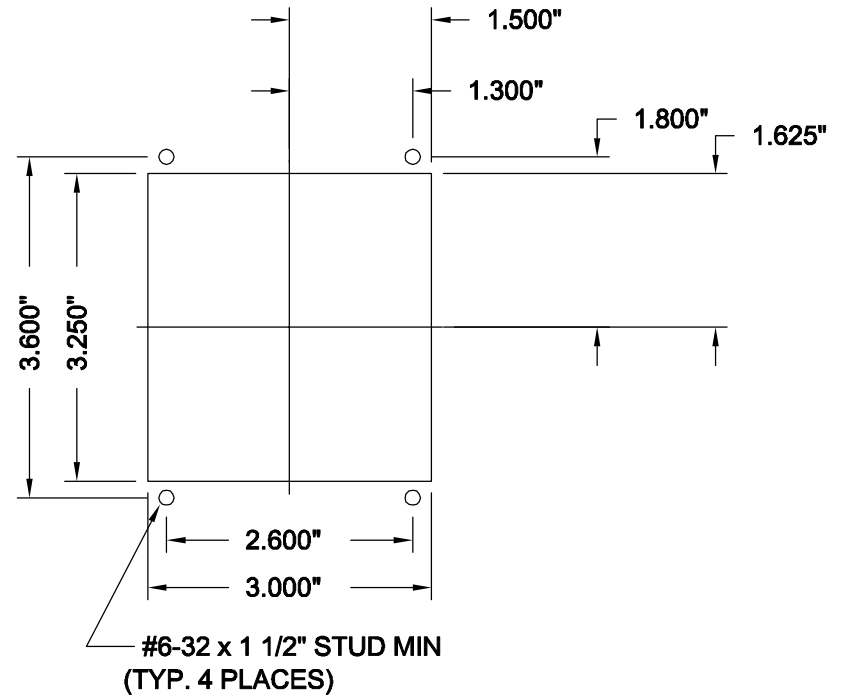
Ver. 1 Rel. 06/06/02

METAL



SA130 FLUSH 4" x 10"

DETAIL



NOTES:

- #4 STAINLESS STEEL, .125"
- VERTICAL GRAIN
- BEVELED EDGES - APPROXIMATELY 15°
- BOX REQUIRED, 3.5" DEEP
- COUNTERSINK MOUNTING HOLES FOR #10-32 TAMPERPROOF SCREW