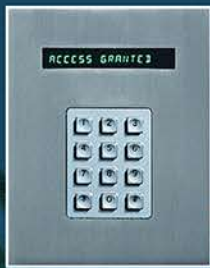




SECXX-XBX2



SECXX-XDC1

SECXX-XHC1



MICRO COMM  
MVIDSYS-X

SECXX-XAXX



SECXX-XCC2



## Security Access Systems

Security for up to 32 Floors Within Your C.O.P.

SEC04 SEC08 SEC16 SEC20 SEC24 SEC32

These systems were designed to secure up to 4, 8, 16, 20, 24 or 32 landings when the unit is activated. The unit grants access to multiple floors with a 6-digit code for up to 600 users. It disables the C.O.P. push-button through a relay that is wired into the circuit. When the appropriate code is entered, the relay closes for an adjustable amount of time. It then allows the user to select the floor(s) to which they have been given access. With a floor supervisor code, the system will enable or disable security to any given floor. An on-board override will deactivate the unit as long as an external signal is present. An optional timer module can activate or deactivate the system at programmable times throughout the day.

### TO ORDER: - SPECIFY SECXX-XXXX

"04"	=	4 LANDINGS
"08"	=	8 LANDINGS
"16"	=	16 LANDINGS
"20"	=	20 LANDINGS
"24"	=	24 LANDINGS
"32"	=	32 LANDINGS

#### OVERRIDE INPUT SIGNAL VOLTAGE:

A	=	+6 - 20 VDC, 6 - 24 VAC
B	=	+24 - 48 VDC
C	=	120 VAC
D	=	125 VDC
S	=	Dry Contact

#### INTERFACE VISUAL FEEDBACK:

A	=	KEYPAD & LED
B	=	KEYPAD & DISPLAY
C	=	CARD READER & LED
D	=	CARD READER & DISPLAY
E	=	SWIPE & LED
F	=	SWIPE & DISPLAY
G	=	PROXIMITY & LED
H	=	PROXIMITY & DISPLAY

#### PROGRAM CABLE:

C	=	HAND HELD PROGRAM CABLE
X	=	NO ATTENDANT CABLE

#### MOUNTING:

1	=	APPLIED METAL WITHOUT BACK BOX
2	=	APPLIED METAL WITH BACK BOX
3	=	SURFACE MOUNT WITH REMOTE SEC04
X	=	NO FIXTURE
C	=	NO STOCK FIXTURE (SPECIAL METAL)

**C.E. Electronics Inc.**

2107 Industrial Drive

Bryan, OH, 43506

Ph: 419.636.6705

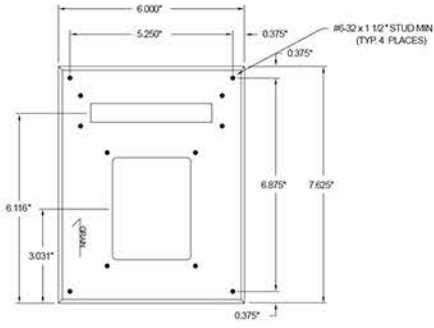
Fx: 419.636.2516

www.cееlectronics.com/security

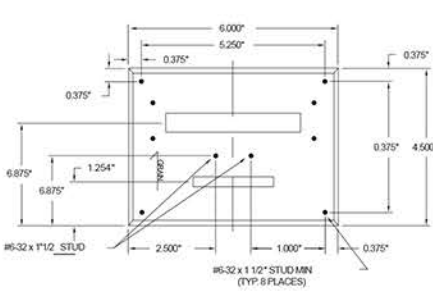


# Security Access Systems Complete Fixture

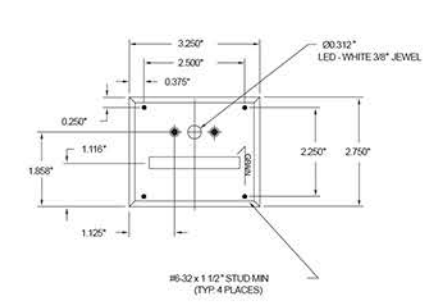
70100013 Coverplate only for Keypad with Display



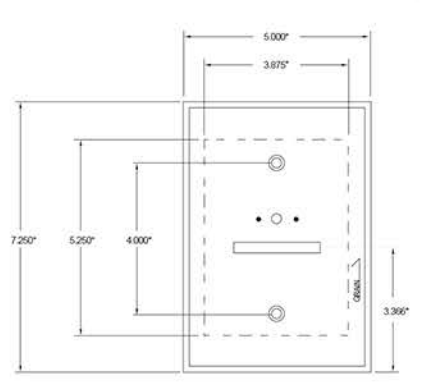
70100014 Coverplate only for Card Reader with Display



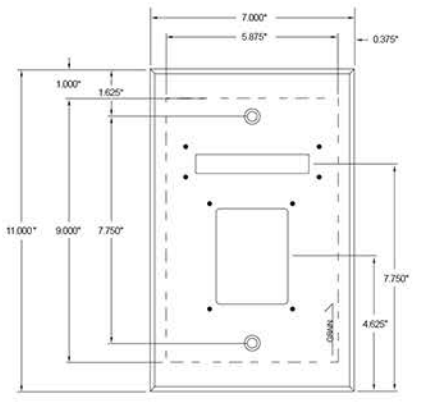
70100015 Coverplate only for Card Reader with LED



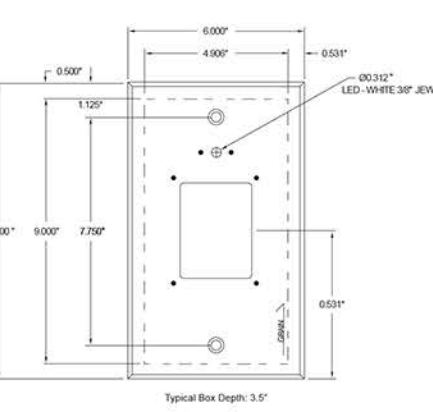
70100029 Flush Mount for Card Reader with LED



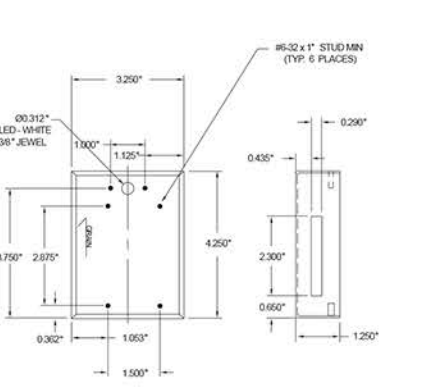
70100019 Flush Mount Box and Cover Keypad with Display



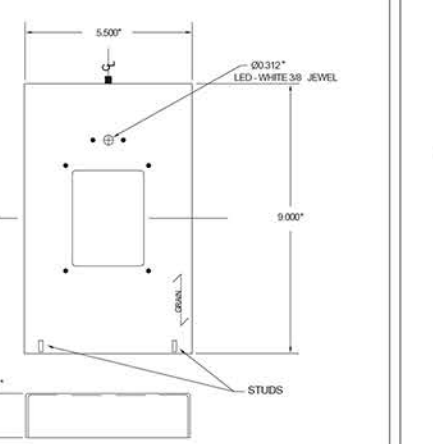
70100020 Flush Mount Box and Cover Keypad with LED



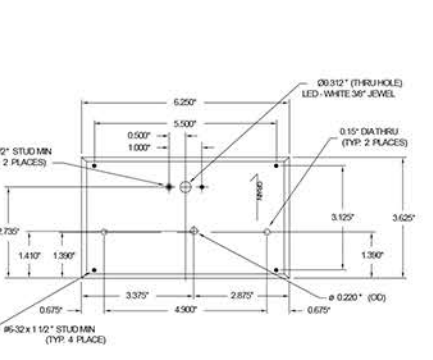
70100023 Surface Mount Card Reader with LED



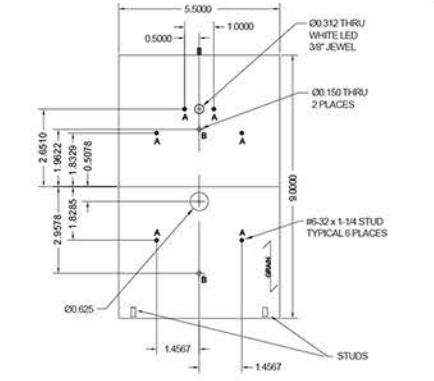
70100025 Surface Mount Keypad with LED



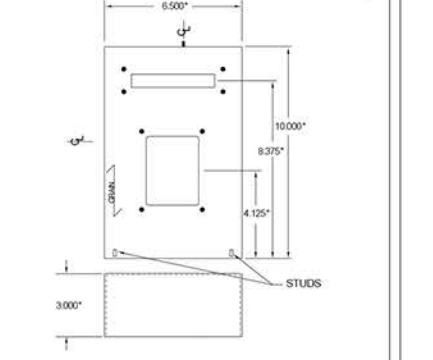
70100018 Coverplate Only Proximity Reader/ LED



70100153 Surface Mount Proximity Reader with LED



70100026 Surface Mount Keypad with Display



70100134 Flush Mount Cox and Cover Proximity Reader with LED

