

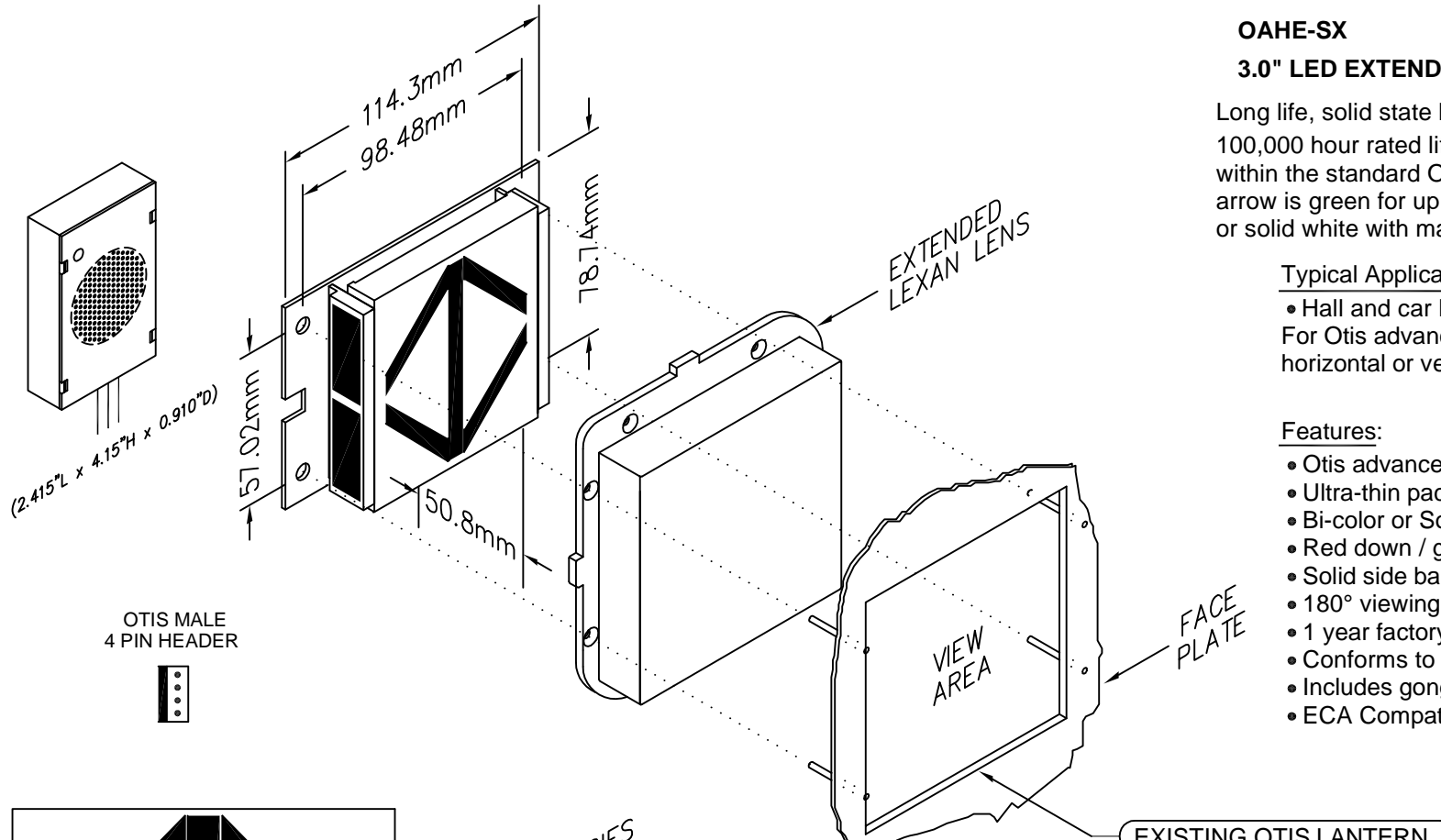


C.E. Electronics, Inc.
 2107 Industrial Drive
 Bryan, OH 43506
 PH (419) 636-6705 FX (419) 636-2516
 www.ccelectronics.com

OAHE-SX

Ver. 5 Rel. 07/12/2012

OTIS®
 411 SERIES



OAHE-SX

3.0" LED EXTENDED ARROW

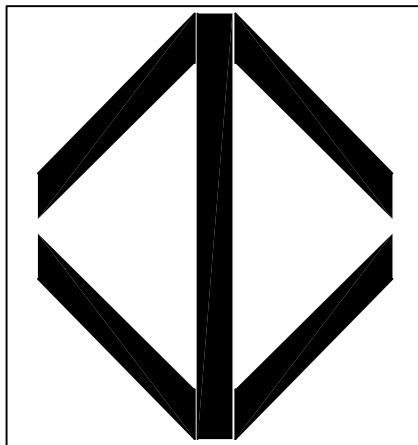
Long life, solid state bi-color or blue arrow for lanterns, 100,000 hour rated life. Accepts existing signals within the standard Otis range. The bi-color arrow is green for up and red for down or solid blue, or solid white with matching side bars for 180° viewing.

Typical Applications:

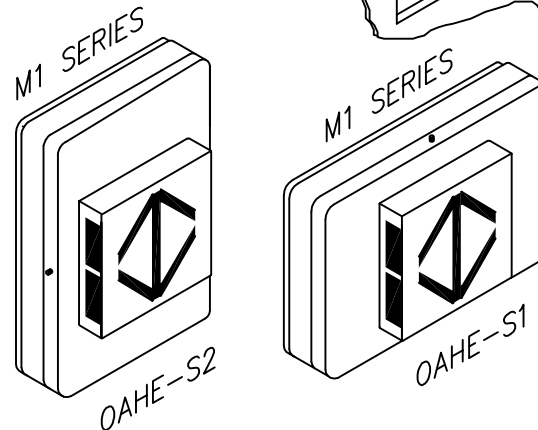
- Hall and car lanterns with 180° viewing angle. For Otis advance series style fixtures, horizontal or vertical mounting.

Features:

- Otis advance series mounting
- Ultra-thin packaging
- Bi-color or Solid Blue
- Red down / green up
- Solid side bar / arrow - Bi-color or Solid Blue
- 180° viewing angle
- 1 year factory warranty
- Conforms to ADAAG 4.10.4
- Includes gong
- ECA Compatible



3.0" ARROW



CAN BE USED ON M2 FLUSH AS WELL

EXISTING OTIS LANTERN

TO ORDER - SPECIFY OAHE-SX

SIGNAL INPUT:
 OTIS SERIAL CDL LINK

RENEWAL PARTS

Display board: 927420000X
 Driver board: 9310500002

Lens: 104-6025

COLOR:

"W" = WHITE
 "B" = BLUE
 "X" = BI-COLOR