

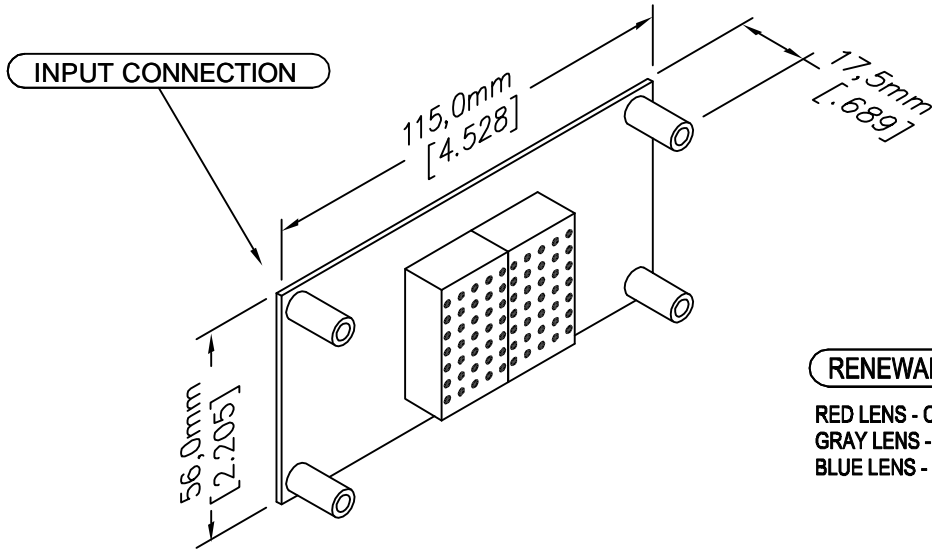


C.E. Electronics, Inc.
 2107 Industrial Drive
 Bryan, OH 43506
 PH (419) 636-6705 FX (419) 636-2516
 www.ceelectronics.com

DM210-XX

Ver. 1 Rel. 05/15/2019

EUROPEAN
 SERIES



RENEWAL PARTS

- RED LENS - CE # 104-5663
- GRAY LENS - CE # 104-6052
- BLUE LENS - CE # 104-9052

DOT MATRIX

Dot Matrix LED Digital Indicator for floor position display, as well as car direction, if desired. Any alphanumeric or custom character can be displayed in either single digit with arrow or double digit floor designations.

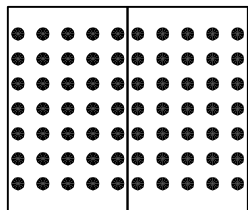
Typical Applications:

- Car-OP Panel
- Transom-car or Hall

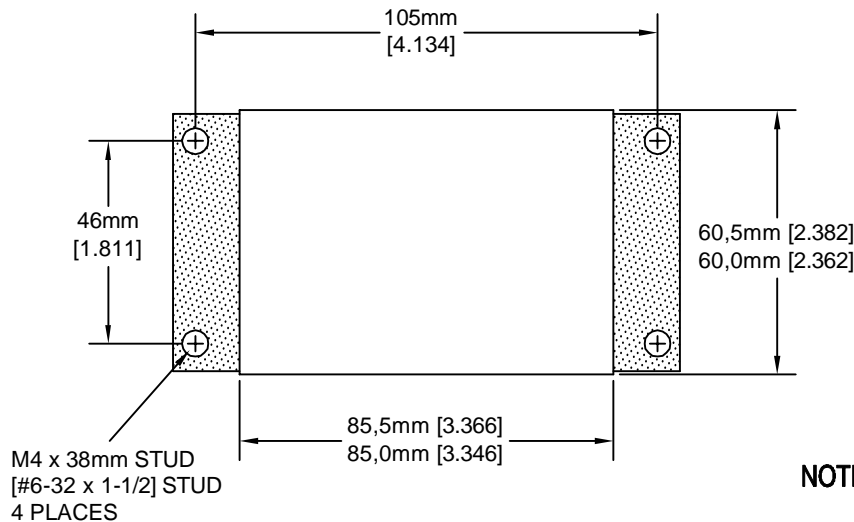
Features:

- Low cost design
- Self contained unit
- Latched input
- Scrolling & roll over
- Hall lantern option
- Passing chime output
- Self Testing
- Message inputs
- Error detection and correction feature

PANEL PREPARATION



25mm CHARACTERS
 [1 INCH] CHARACTERS



TO ORDER - SPECIFY DM210 - XX

COLOR:

- "R" = RED
- "A" = AMBER
- "G" = GREEN
- "B" = BLUE
- "W" = WHITE

LENS:

- "R" = RED
- "G" = GRAY
- "B" = BLUE
- "X" = NO LENS

NOTE: This is not a stand alone unit;
 Must be used in conjunction with a Micro Comm interface.