



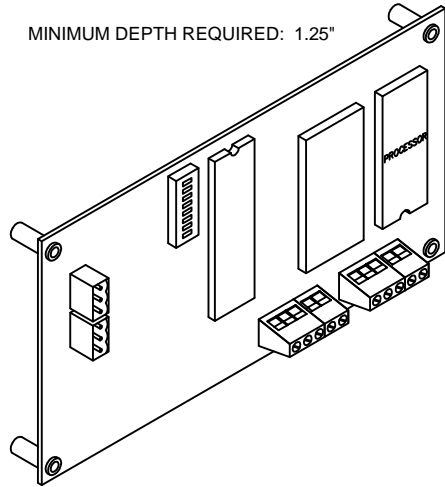
C.E. Electronics, Inc.  
 2107 Industrial Drive  
 Bryan, OH 43506  
 PH (419) 636-6705 FX (419) 636-2516  
 www.ceelectronics.com

# MPROG

Ver. 3 Rel. 03/08/2012

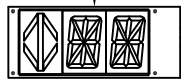
ACCESSORIES

MINIMUM DEPTH REQUIRED: 1.25"

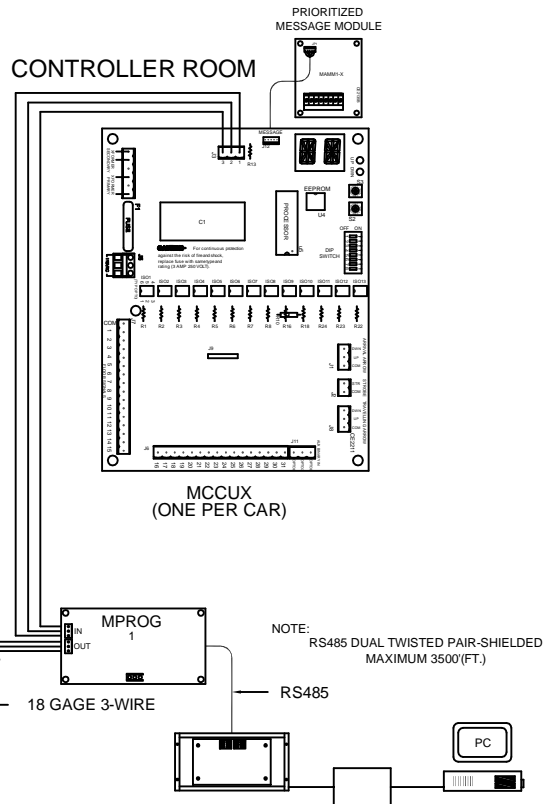
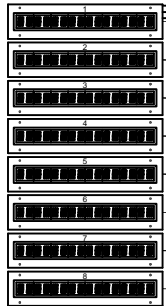


CAR, LOBBY, ETC.

ANY MICRO COMM DISPLAY



SCROLLING MESSAGE CENTER



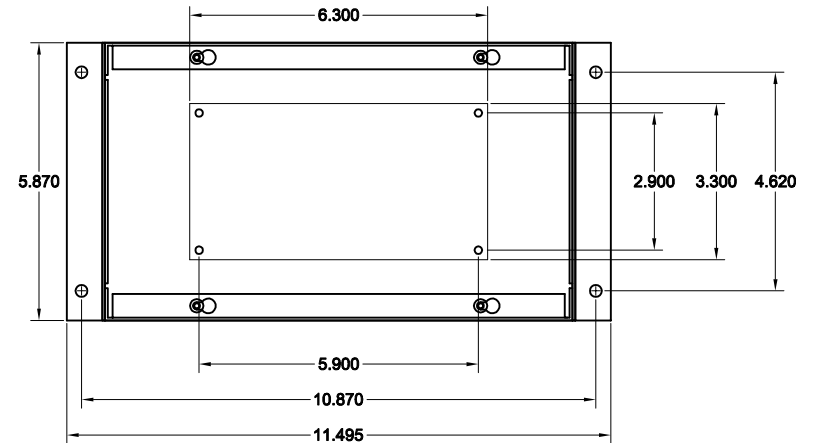
## RS485 to MICRO COMM 3 WIRE PROGRAMMER

A highly reliable, solid state interface card for remote programming of C.E. scrolling message modules. This card allows an interface to a computer via RS485 port and Windows 95 or better interface software.

### Features:

- Solid state device
- Compact design
- Low cost
- User friendly software (Windows)

MINIMUM DEPTH REQUIRED: 3.00"



### NOTE:

1. If a special voltage is required, please consult factory.
2. Consolidated cable #5756-CL recommended for RS485 link.

TO ORDER - SPECIFY MPROG