



C.E. Electronics, Inc.
 2107 Industrial Drive
 Bryan, OH 43506
 PH (419) 636-6705 FX (419) 636-2516
 www.ccelectronics.com

MLSIX-XX

Ver. 1 Rel. 06/17/02

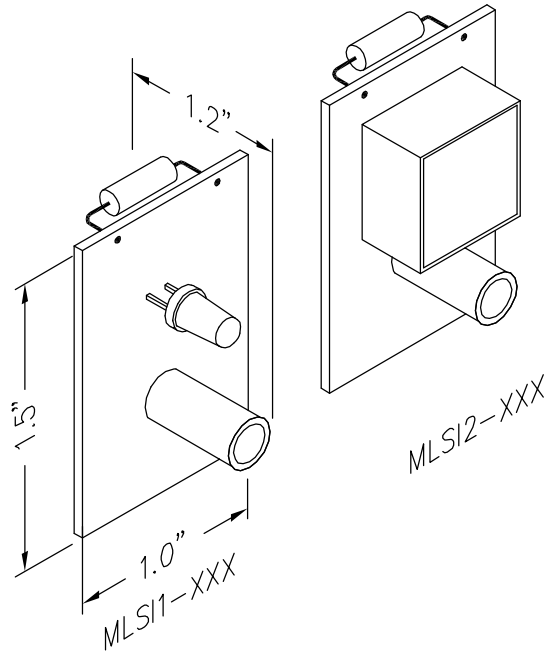
ACCESSORIES

LED STATUS INDICATORS

LED status indicators were created to offer an inexpensive, long life alternative to bulbs. The status indicators are extremely flexible and can be used in a variety of applications.

Features:

- Inexpensive
- Long life
- Various configurations



TO ORDER - SPECIFY MLSIX - X X

STYLE:

"1" = T 1 3/4 LED

"2" = .5 SQUARE LED

COLOR:

"R" = RED

"A" = AMBER

"G" = GREEN

SIGNAL VOLTAGE:

"A" = +/-6VDC, 6-12VDC (Style "1" ONLY)

"B" = +/-12VDC, 24VAC

"C" = +/-24VDC, 48VAC

"D" = +/-48VAC

"E" = 120VAC

"F" = +/-125VDC

NOTE:

If a special voltage is required, please consult factory.