

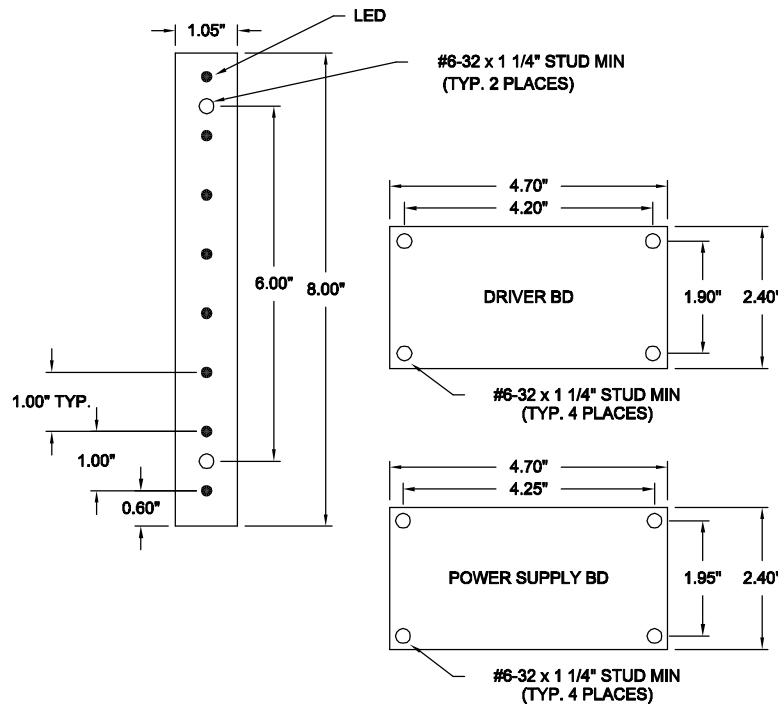
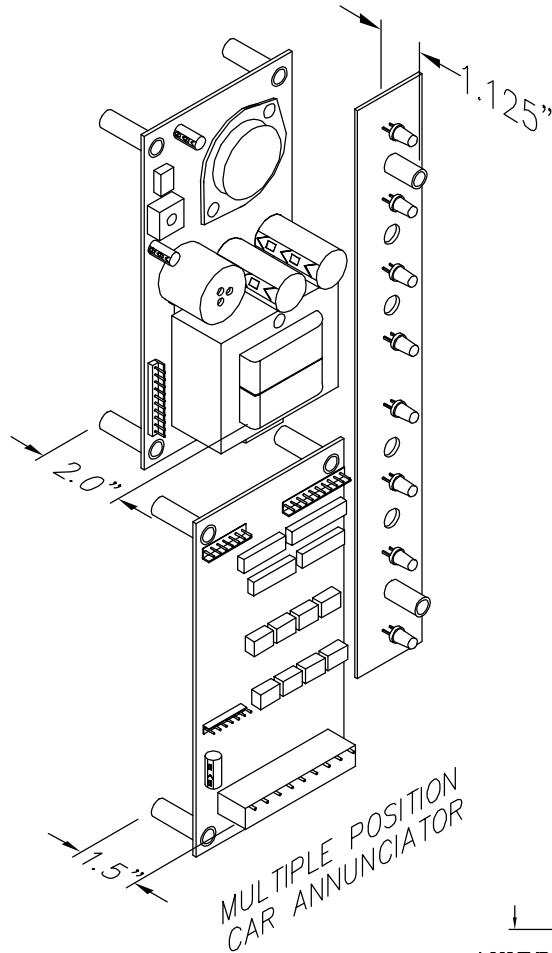


C.E. Electronics, Inc.
 2107 Industrial Drive
 Bryan, OH 43506
 PH (419) 636-6705 FX (419) 636-2516
 www.ccelectronics.com

ANNXX-XX

Ver. 1 Rel. 09/25/02

ACCESSORIES



MULTIPLE POSITION CAR ANNUNCIATOR

This unit is a multiple floor annunciator that is expandable to 64 floors. The unit is capable of displaying separate up/down hall calls and resets on all ups or all downs. The unit is also equipped with a call accept buzzer.

Typical Applications:

- Manually operated cars

Features:

- Latched LED indications
- 2 reset lines
- Button accept buzzer
- Expandable to 64 inputs

TO ORDER - SPECIFY ANNXX - X X

NUMBER OF FLOORS:

- "08" = 8 FLOORS
- "16" = 16 FLOORS
- "24" = 24 FLOORS
- "32" = 32 FLOORS
- "40" = 40 FLOORS
- "48" = 48 FLOORS
- "56" = 56 FLOORS
- "64" = 64 FLOORS

SIGNAL VOLTAGE:

- "A" = POSITIVE 6-20VAC/DC, 24 VAC
- "B" = POSITIVE 24-48VDC, 48VAC
- "C" = POSITIVE 120VAC
- "D" = POSITIVE 125VDC
- "E" = NEGATIVE 6-20VDC
- "F" = NEGATIVE 24-48VDC
- "G" = NEGATIVE 125VDC

BEEPER STYLE:

- "1" = STANDARD BEEPER
- "2" = DRY CONTACT FOR EXTERNAL CHIME

NOTE:

If a special voltage is required, please consult factory.